

TEMPERATURE SENSOR

type 431, 432, 433, 434, 435, 436, 437, 438

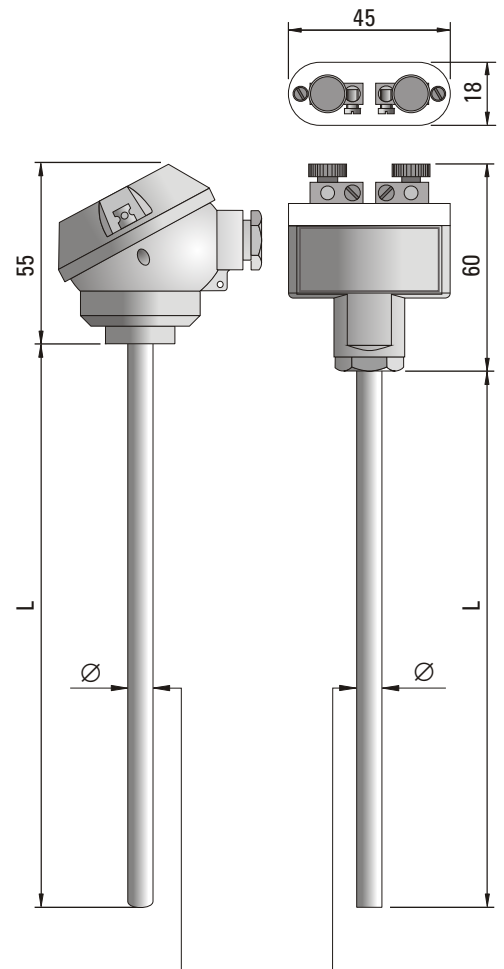
SPECIFICATION

| | | |
|----------------------------|---|----------|
| Temperature range | -40°C...+800°C | (J) |
| | -40°C...+1100°C | (K) |
| | -40°C...+1250°C | (N) |
| Sheathed thermocouple | Fe-CuNi | (J) |
| | NiCr-NiAl | (K) |
| | NiCrSi-NiSi | (N) |
| Measuring junction | grounded | (type a) |
| | insulated | (type b) |
| | Exposed | (type c) |
| Class of thermocouple | 1 | |
| Sheath material | Inconel (J, K), Microbell (N) | |
| Connection head type | MA or B ⁽⁴⁾ , oval opened | |
| Head operating temperature | -40°C...+100°C | |
| Additional accessories | compression gland type KP compensation cable temperature transmitter | |

⁽¹⁾ Thermocouples of outer diameter $\varnothing = 1, 1,5$ or 2 mm on demand

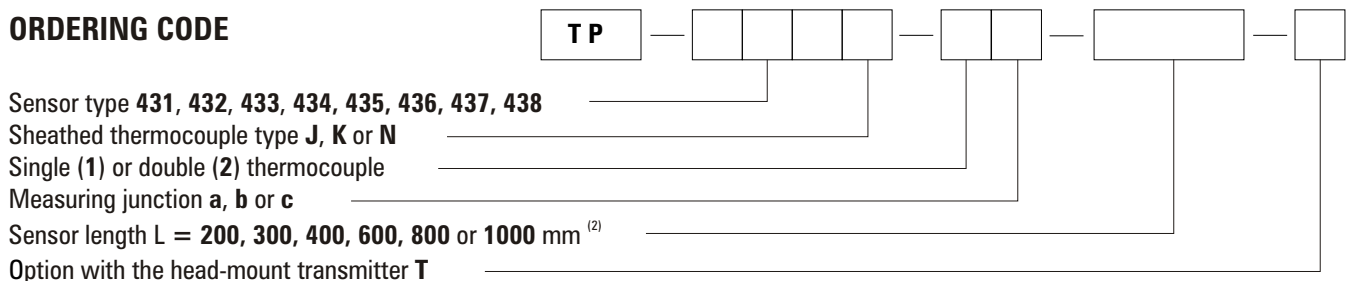
⁽²⁾ Other parameters according to customer requirements

⁽³⁾ Connection head with protection class IP65 or acid resistant on demand



| Type | \varnothing (mm) ⁽¹⁾ | Type |
|---------------|-----------------------------------|---------------|
| TP-431 | 3 | TP-435 |
| TP-432 | 4,5 | TP-436 |
| TP-433 | 6 | TP-437 |
| TP-434 | 8 | TP-438 |

ORDERING CODE



Example for order:

TP-431K-1b-200 sensor with connection head type MA, with single sheathed thermocouple NiCr-NiAl (K) of outer diameter $\varnothing = 3$ mm, measuring junction galvanically insulated from sheath (type b), length $L=200$ mm.

TP-431K-1b-200-T; TCH-2140-K sensor with connection head type B, option with the head-mount transmitter type TCH-2140-K.