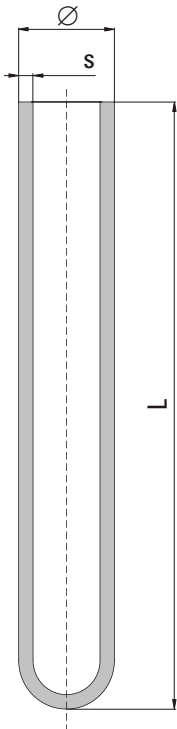


SENSOR SHEATHS

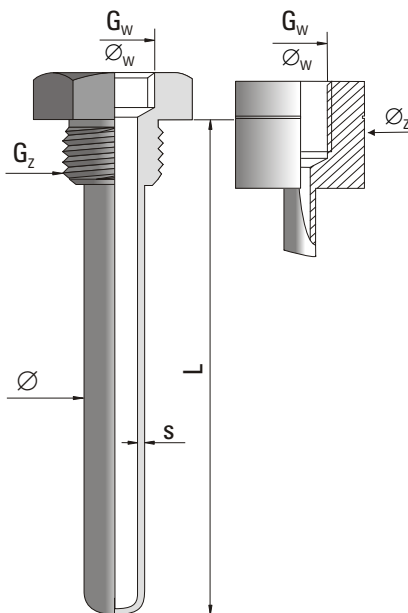
type OC



	Material	Maximum temperature (°C) (in air)	Ø x s (mm)	L (mm)
STEEL	1.4541 (1H18N9T)	900	2,5x0,3	50 ... 3000
			3x0,3	
			4x0,4	
			5x0,4	
6x0,5				
6x1,0				
8x0,6				
8x1,0				
9x1,0				
10x1,5				
11x2,0				
12x1,5				
14x2,0				
15x1,5				
15x3,0				
16x2,0				
30x5,0				
	1.4762 (H24JS)	1200	22x2,0	300 ... 3000
	1.4749 (H25T)	1100	22x2,0	300 ... 3000
CERAMICS	C610 Al ₂ O ₃ (60%)	1400	6x1,0	300, 500, 700
			10x1,5	500, 700, 1000, 1400
	C799 Al ₂ O ₃ (99,7%)	1800	6x1,0	
			10x2,0	
			15x2,5	500, 700, 1000, 1400

Example for order: OC-1H18N9T-10x1,5-250 sheath with diameter of 10x1,5 mm and length of 250 mm.

type PC



Material	Ø x s (mm)	Ø _z G _z	Ø _w G _w	L (mm)
1.4541 (1H18N9T)	6x0,5	M10x1 M12x1,5 M20x1,5 G1/2" Ø _z	M10x1 M12x1,5 M20x1,5 G1/2" Ø _w	50 ... 1000
	6x1,0			
	8x0,6			
	9x1,0			
	10x1,5			
	11x2,0			
	12x1,5			
15x3,0				

Other diameters and threads on demand

Example for order: PC-1H18N9T-10x1,5-250-M20x1,5/M10x1 sheath with diameter of 10 mm and length of 250 mm with external thread G_z M20x1,5 and internal thread G_w M10x1.
 PC-1H18N9T-9x1-150-Ø20/M10x1 sheath with diameter of 9mm and length of 150mm with the part to weld diameter of Ø_z 20mm and internal thread G_w M10x1.