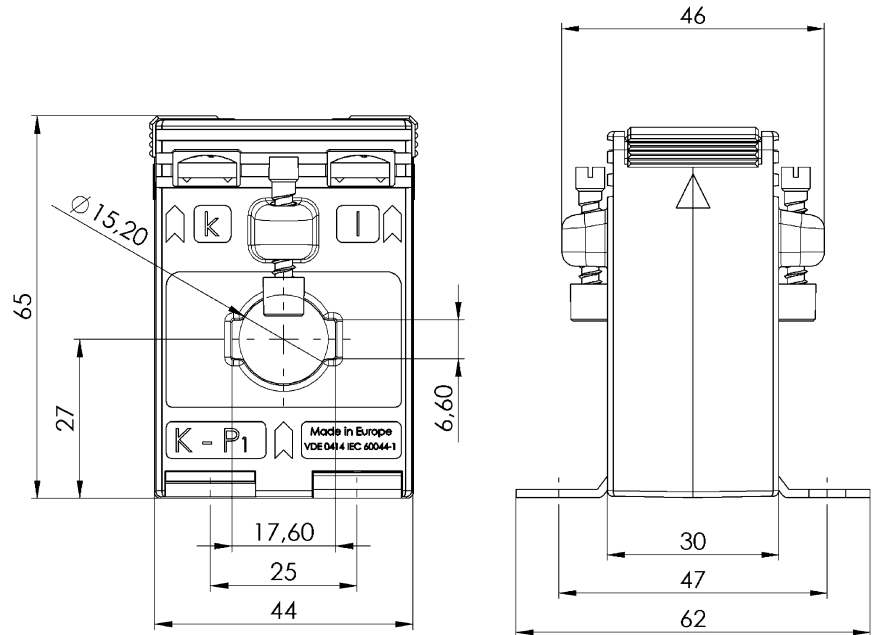


(E)ASK 176.3 Plug-in current transformer



Dimensions:

Primary conductor 1: 17x6 mm
 Round conductor: 15.2 mm
 Transformer width: 44 mm
 Transformer height: 64.5 mm
 Total depth: 46 mm

General technical specifications:

Thermal nominal continuous rated current I_{cth} : $1.2 \times I_N$
 Thermal nominal short-time current I_{th} : $60 \times I_N$, 1 sec.
 Maximum operating voltage U_m : 0.72 kV
 Isolation test voltage: 3 kV, U_{eff} , 50 Hz, 1 Min.
 Rated frequency: 50 Hz
 Isolation class: E
 Applicable technical standards: DIN EN 60044/1
 VDE 0414 Teil 1

Further information:

- Available for primary nominal currents from 75 A up to 250 A
- Accuracy class: 1 and 0.5
- Constant overload with 120% of the primary rated current
- Over current rated limiting factor: See rating plate
- Operating temperature: $-5^\circ\text{C} < T < +40^\circ\text{C}$
- Storage temperature: $-25^\circ\text{C} < T < +70^\circ\text{C}$
- Unbreakable plastic housing of black polycarbonate, self-extinguishing, flame resistant
- Nickel-plated secondary terminals with plus-minus nickel-plated screw M5x10 mm
- Integrated secondary locking caps
- Packaging unit: 1 pc.
- Customs tariff number: 85043129

Order list

ASK 176.3 - Plug-in current transformer for industrial applications

Secondary current		5A		1A	
Primary current [A]	Burden [VA]	Accuracy class		Accuracy class	
		1	0,5	1	0,5
		Art.-no.	Art.-no.	Art.-no.	Art.-no.
75	1.5	1020006009		1020206009	
80	1.5	1020006010		1020206010	
100	1		1020005007		1020205007
	2	1020006001		1020206001	
125	1.5		1020005008		1020205008
	2.5	1020006002		1020206002	
150	1.5	1020006007	1020005001	1020206007	1020205001
	2.5	1020006003	1020005006	1020206003	1020205006
160	2.5	1020006004	1020005004	1020206004	1020205004
200	2.5	1020006005	1020005002	1020206005	1020205002
250	2.5	1020006008	1020005003	1020206008	1020205003
	3.75	1020006006		1020206006	

EASK 176.3 - Plug-in current transformer for tariff applications

Secondary current		5A		1A	
Primary current [A]	Burden [VA]	Accuracy class		Accuracy class	
		1	0,5	1	0,5
		Art.-no.	Art.-no.	Art.-no.	Art.-no.
100	1.5		1020505004		1020705004
150	1.5		1020505001		1020705001
	2.5		1020505005		1020705005
200	2.5		1020505002		1020705002
250	2.5		1020505003		1020705003