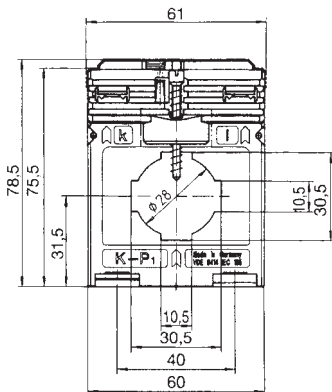
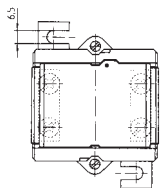
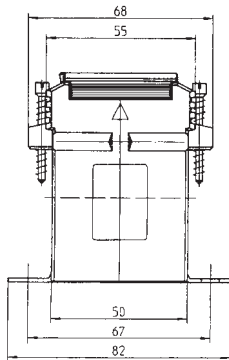




# ASK 31.5

Plug-in current transformer



Primary conductor	30 x 10 mm 2 x 20 x 10 mm
Round conductor	Ø 28 mm
Transformer width	61 mm
Snap-on mounting	<b>Art.-no. 55011</b> see page 204
Sealed shutter	<b>Art.-no. 59041</b> see page 205
Protection plug-in current transformer	see page 127
Current transformer for tariff applications	see page 171

Secondary current		5A		1A	
Primary current A	Burden VA	Accuracy class		Accuracy class	
		1	0.5	1	0.5
		Art.-no.	Art.-no.	Art.-no.	Art.-no.
40	1	9043		9243	
50	1.5	9045		9245	
	2.5	9046		9246	
60	1.5	9047		9247	
	2.5	9048		9248	
75	1.5	9049	9011	9249	9211
	2.5	9050	9012	9250	9212
80	1.5	9051	9013	9251	9213
	2.5	9052	9014	9252	9214
	5	9053		9253	
100	1.5	9054	9015	9254	9215
	2.5	9055	9016	9255	9216
	5	9056	9017	9256	9217
150	2.5	9057	9018	9257	9218
	5	9058	9019	9258	9219
	7.5	9059		9259	
200	2.5	9060	9020	9260	9220
	5	9061	9021	9261	9221
	10	9062	9022	9262	9222
	15	9063		9263	
250	5	9064	9023	9264	9223
	10	9065	9024	9265	9224
	15	9066	9025	9266	9225
300	5	9067	9026	9267	9226
	10	9068	9027	9268	9227
	15	9069	9028	9269	9228
400	5	9070	9029	9270	9229
	10	9071	9030	9271	9230
	15	9072	9031	9272	9231
	30	9073		9273	
500	5	9074	9032	9274	9232
	10	9075	9033	9275	9233
	15	9076	9034	9276	9234
	30	9077		9277	
600	5	9078	9035	9278	9235
	10	9079	9036	9279	9236
	15	9080	9037	9280	9237
	30	9081		9281	
750	5	9082	9038	9282	9238
	10	9083	9039	9283	9239
	15	9084	9040	9284	9240
	30	9085		9285	

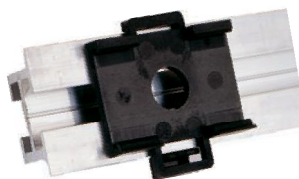
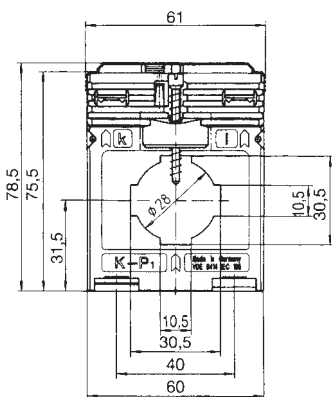
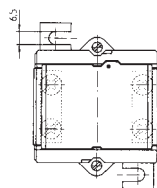
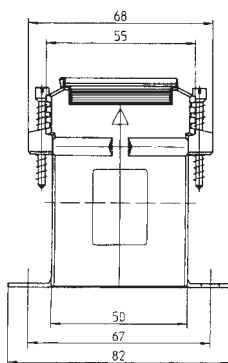
Change-over transformers see page 50.



# ASK 31.5 2U

Plug-in current transformer

Secondary current		5A	1A
Primary current A	Burden VA	Accuracy class	Accuracy class
		1	1
		Art.-no.	Art.-no.
150-75	5-2.5	9132	9332
	10-5	9133	9333
	15-7.5	9134	9334
200-100	5-2.5	9135	9335
	10-5	9136	9336
	15-7.5	9137	9337
300-150	5-2.5	9138	9338
	10-5	9139	9339
	15-7.5	9140	9340
400-200	5-2.5	9141	9341
	10-5	9142	9342
	15-7.5	9143	9343
500-250	5-2.5	9144	9344
	10-5	9145	9345
	15-7.5	9146	9346
600-300	5-2.5	9144	9344
	10-5	9145	9345
	15-7.5	9146	9346



Snap-on mounting

Primary conductor	30 x 10 mm 2 x 20 x 10 mm
Round conductor	Ø 28 mm
Transformer width	61 mm
Snap-on mounting	<b>Art.-no. 55011</b> see page 204
Sealed shutter	<b>Art.-no. 59041</b> see page 205
Protection plug-in current transformer	see page 127
Current transformer for tariff applications	see page 171