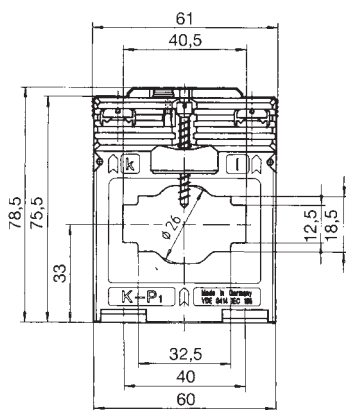
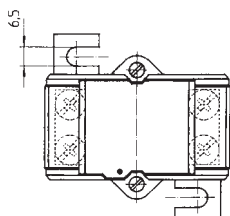
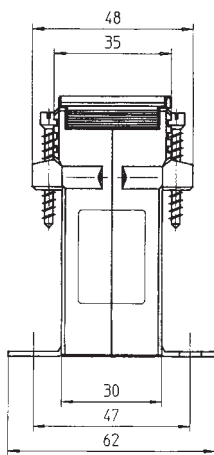
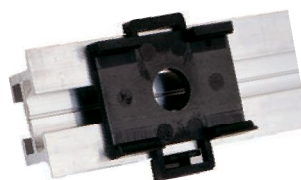


# ASK 41.3

Plug-in current transformer



Secondary current		5A	1A
Primary current A	Burden VA	Accuracy class	Accuracy class
		1	1
		Art.-no.	Art.-no.
100	1	11037	11237
	1.5	11038	11238
150	1.5	11039	11239
	2.5	11040	11240
200	1.5	11041	11241
	2.5	11042	11242
250	1.5	11043	11243
	2.5	11044	11244
	5	11045	11245
300	1.5	11046	11246
	2.5	11047	11247
	5	11048	11248
400	1.5	11049	
	2.5	11050	
	5	11051	
500	1.5	11052	
	2.5	11053	
	5	11054	
	10	11055	
600	1.5	11056	
	2.5	11057	
	5	11058	
	10	11059	
750	2.5	11060	
	5	11061	
	10	11062	
	15	11063	
800	2.5	11064	
	5	11065	
	10	11066	
	15	11067	



Snap-on mounting

Primary conductor	40 x 12 mm 32 x 18 mm
Round conductor	Ø 26.0 mm
Transformer width	61 mm
Snap-on mounting	<b>Art.-no. 53011</b> see page 204
Sealed shutter	<b>Art.-no. 59040</b> see page 205