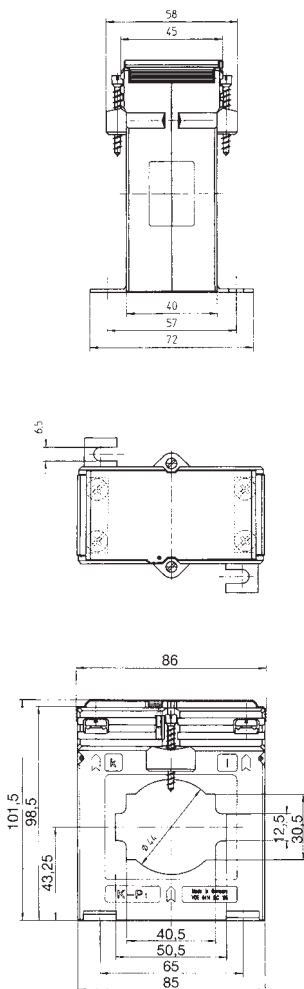




# ASK 51.4

Plug-in current transformer



Primary conductor	50 x 12 mm 2 x 40 x 10 mm
Round conductor	Ø 44 mm
Transformer width	86 mm
Snap-on mounting	—
Sealed shutter	<b>Art.-no. 59042</b> see page 205
Protection plug-in current transformer	see page 142
Current transformer for tariff applications	see page 178

Secondary current		5A			1A	
Primary current A	Burden VA	Accuracy class			Accuracy class	
		1	0.5	0.2s	1	0.5
		Art.-no.	Art.-no.	Art.-no.	Art.-no.	Art.-no.
100	1.5	16043	16170		16243	
	2.5	16086	16171			
150	1.5	16044	16011		16244	16211
	2.5	16045	16010		16245	16210
200	1.5		16012	V34-1704C		16212
	2.5	16046	16013	V34-1704D	16246	16213
	5	16047	16152	V34-1704F	16247	16352
250	1.5		16014			16214
	2.5	16048	16015	V34-1804D	16248	16215
	5	16049	16153	V34-1804F	16249	16353
	10	16177			16390	
300	2.5	16050	16017	V34-1904D	16250	16217
	5	16051	16018	V34-1904F	16251	16218
	10	16052			16252	
400	2.5	16053	16019	V34-2004D	16253	16219
	5	16054	16020	V34-2004F	16254	16220
	10	16055	16021	V34-2004H	16255	16221
	15	16056	16201		16256	
	2.5	16057	16022	V34-2104D	16257	16222
500	5	16058	16023	V34-2104F	16258	16223
	10	16059	16024	V34-2104H	16259	16224
	15	16060	16202		16260	
	2.5	16061	16025	V34-2204D	16261	16225
600	5	16062	16026	V34-2204F	16262	16226
	10	16063	16027	V34-2204H	16263	16227
	15	16064	16154		16264	16354
	2.5	16065	16028	V34-2304D	16265	16228
750	5	16066	16029	V34-2304F	16266	16229
	10	16067	16030	V34-2304H	16267	16230
	15	16068	16203		16268	
	5	16069	16031	V34-2404F	16269	16231
800	10	16070	16032	V34-2404H	16270	16232
	15	16071	16033		16271	16233
	30	16072			16272	
	2.5	16073	16034	V34-2504D	16273	16234
1000	5	16074	16035	V34-2504F	16274	16235
	10	16075	16036	V34-2504H	16275	16236
	15	16076		V34-2504J	16276	
	30	16077	16037		16277	16237
	5	16078	16038		16278	16238
1200	10	16079	16039		16279	16239
	15	16080			16280	
	5	16081	16040		16281	16240
1250	10	16082	16041		16282	16241
	15	16083	16042		16283	16242
	30	16084			16284	

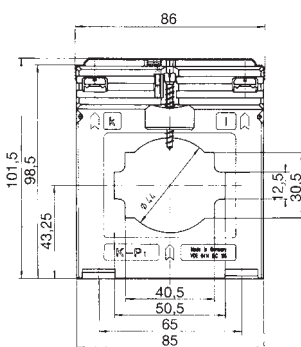
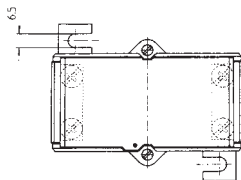
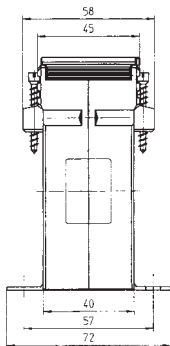
Change-over transformers see page 66.



# ASK 51.4 2U

Plug-in current transformer

Secondary current		<b>5A</b>	<b>1A</b>
Primary current A	Burden VA	Accuracy class	Accuracy class
		1	1
		Art.-no.	Art.-no.
400-200	5-2.5	16130	16330
	10-5	16131	16331
500-250	5-2.5	16132	16332
	10-5	16133	16333
600-300	5-2.5	16134	16334
	10-5	16135	16335
800-400	5-2.5	16136	16336
	10-5	16137	16337
	15-7.5	16138	16338
1000-500	5-2.5	16139	16339
	10-5	16140	16340
	15-7.5	16141	16341
1200-600	5-2.5	16142	16342
	10-5	16143	16343
	15-7.5	16144	16344
	30-15	16145	16345



# ASK 51.4 3U

Secondary current		<b>5A</b>	<b>1A</b>
Primary current A	Burden VA	Accuracy class	Accuracy class
		1	1
		Art.-no.	Art.-no.
800-400-200	10-5-2.5	16162	16362
1000-500-250	10-5-2.5	16163	16363
	15-7.5-2.5	16164	16364
1200-600-300	10-5-2.5	16165	16365
	15-7.5-2.5	16166	16366
1200-1000-300	7.5-5-2.5	16174	16374
1000-600-400	10-5-2.5	16175	16375
1000-600-300	15-10-5	16176	16376
600-400-200	15-7.5-5	16178	16378
1000-800-600	15-10-5	16179	16379
1000-600-300	10-5-2.5	16180	16380

Primary conductor	50 x 12 mm 2 x 40 x 10 mm
Round conductor	Ø 44 mm
Transformer width	86 mm
Snap-on mounting	—
Sealed shutter	<b>Art.-no. 59042</b> see page 205
Protection plug-in current transformer	see page 142
Current transformer for tariff applications	see page 178