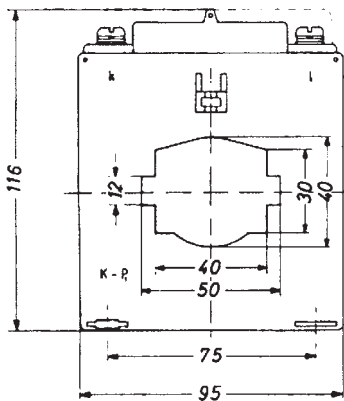
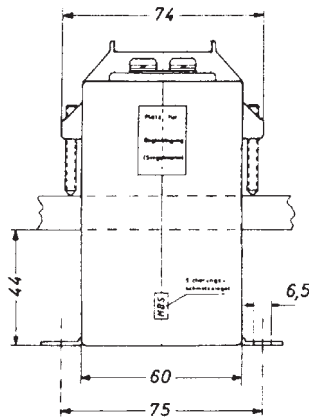




ASK 51.6

Plug-in current transformer



Primary conductor	50 x 12 mm 40 x 30 mm
Round conductor	Ø 40 mm
Transformer width	95 mm
Snap-on mounting	—
Sealed shutter	Art.-no. 59044 see page 205
Protection plug-in current transformer	see page 144
Current transformer for tariff applications	see page 179

Secondary current		5A		1A	
Primary current A	Burden VA	Accuracy class		Accuracy class	
		1	0.5	1	0.5
		Art.-no.	Art.-no.	Art.-no.	Art.-no.
100	2.5	17058	17011	17258	17211
	5	17059	17012	17259	17212
150	2.5	17060	17013	17260	17213
	5	17061	17014	17261	17214
	10	17062	17015	17262	17215
200	2.5	17063	17016	17263	17216
	5	17064	17017	17264	17217
	10	17065	17018	17265	17218
250	2.5	17066	17019	17266	17219
	5	17067	17020	17267	17220
	10	17068	17021	17268	17221
	15	17069	17022	17269	17222
300	2.5		17023		17223
	5	17070	17024	17270	17224
	10	17071	17025	17271	17225
	15	17072	17026	17272	17226
	30	17073		17273	
400	2.5		17027		17227
	5	17074	17028	17274	17228
	10	17075	17029	17275	17229
	15	17076	17030	17276	17230
	30	17077		17277	
500	2.5		17031		17231
	5	17078	17032	17278	17232
	10	17079	17033	17279	17233
	15	17080	17034	17280	17234
	30	17081		17281	
600	2.5		17035		17235
	5	17082	17036	17282	17236
	10	17083	17037	17283	17237
	15	17084	17038	17284	17238
	30	17085		17285	
750	2.5		17039		17239
	5	17086	17040	17286	17240
	10	17087	17041	17287	17241
	15	17088	17042	17288	17242
	30	17089		17289	
800	10	17090	17044	17290	17244
	15	17091	17045	17291	17245
	30	17092		17292	
	45	17093		17293	
	1000	5		17046	
10		17094	17047	17294	17247
15		17095	17048	17295	17248
30		17096	17049	17296	17249
45		17097		17297	
1200	5		17050		17250
	10	17098	17051	17298	17251
	15	17099	17052	17299	17252
	30	17100	17053	17300	17253
	45	17101		17301	
1250	5		17054		17254
	10	17102	17055	17302	17255
	15	17103	17056	17303	17256
	30	17104	17057	17304	17257
	45	17105		17305	