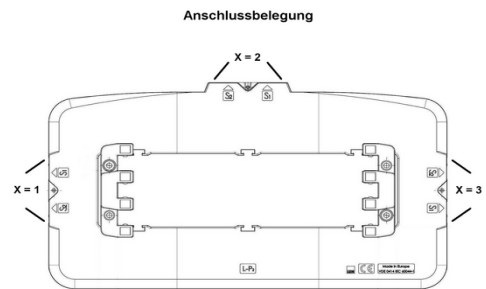
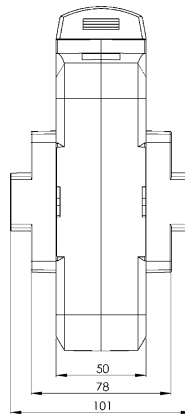
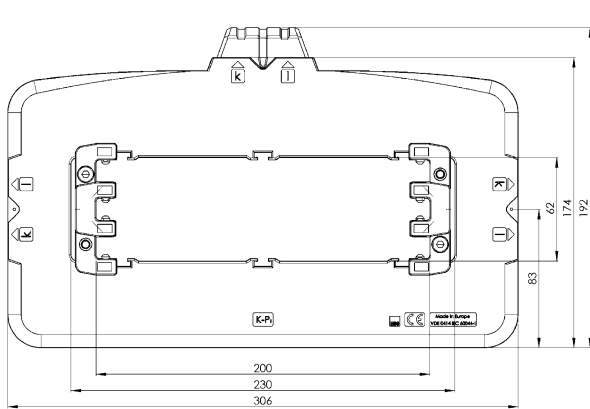


## ASK 205.5

### Plug-in current transformer with partly resin hardened measuring system



**Additional accessories:** clamping claw  
(for flexible mounting of different bus bar  
dimensions) – art. no. 59090



#### Dimensions:

Primary conductor 1: 3x 200x10 mm  
 Primary conductor 2: 230x60 mm  
 Transformer width: 306 mm  
 Transformer height: 192 mm  
 Total depth: 50 (100) mm

#### General technical specifications:

Thermal nominal continuous rated current  $I_{cth}$ : 1.2 x  $I_N$   
 Thermal nominal short-time current  $I_{th}$ : 60 x  $I_N$ , 1 sec.  
 Maximum operating voltage  $U_m$ : 0.72 kV (with clamping claw 1.2 kV)  
 Isolation test voltage: 3 kV (with clamping claw 6 kV),  $U_{eff}$ ,  
 50 Hz, 1 Min.  
 Rated frequency: 50 Hz  
 Isolation class: F  
 Applicable technical standards: DIN EN 60044/1  
 VDE 0414 part 1

#### Further information:

- A newly developed variable mounting system (clamping claw) allows a flexible mounting of different bus bar dimensions (clamping claw is available as additional accessory)
- Direct, secure fixation of the current transformer on the bus-bar
- Time saving connection in view of 3 variable positions of the secondary terminal connections (please state when ordering).
- Primary current: 1200 A ... 4000 A
- Secondary current: 5 A or 1 A (optional 2 A)
- Accuracy classes: 1, 0.5 and 0.2
- Current transformers to accommodate up to 1.2 kV operation voltage (only in connection with the special mounting system - clamping claw)
- Over current rated limiting factor: See rating plate
- Operating temperature:  $-5^{\circ}\text{C} < T < +50^{\circ}\text{C}$
- Storage temperature:  $-25^{\circ}\text{C} < T < +70^{\circ}\text{C}$

- Unbreakable plastic housing of black polycarbonate, self-extinguishing, UL94-V0, flame resistant
- Nickel-plated secondary terminals with plus-minus nickel-plated screw M5x10 mm
- Integrated secondary locking caps
- Packaging unit: 1 pc.
- Customs tariff number: 85043129

## Order list

Secondary current		5A			1A		
Primary current [ A ]	Burden [ VA ]	Accuracy class			Accuracy class		
		1	0.5	0.2	1	0.5	0.2
		Art.-no.	Art.-no.	Art.-no.	Art.-no.	Art.-no.	Art.-no.
1200	5	2050006023-x	2050005023-x	2050003001-x	2050206023-x	2050205023-x	2050203001-x
	10	2050006024-x	2050005001-x		2050206024-x	2050205001-x	
	15	2050006001-x	2050005024-x		2050206001-x	2050205024-x	
1250	5	2050006025-x	2050005025-x	2050003003-x	2050206025-x	2050205025-x	2050203003-x
	10	2050006026-x	2050005002-x	2050003004-x	2050206026-x	2050205002-x	2050203004-x
	15	2050006002-x	2050005026-x		2050206002-x	2050205026-x	
1500	5	2050006027-x	2050005027-x	2050003005-x	2050206027-x	2050205027-x	2050203005-x
	10	2050006028-x	2050005003-x	2050003006-x	2050206028-x	2050205003-x	2050203006-x
	15	2050006003-x	2050005004-x	2050003007-x	2050206003-x	2050205004-x	2050203007-x
	30	2050006004-x			2050206004-x		
1600	5	2050006029-x	2050005028-x	2050003008-x			
	10	2050006030-x	2050005029-x	2050003009-x	2050206029-x	2050205028-x	2050203009-x
	15	2050006005-x	2050005005-x	2050003010-x	2050206005-x	2050205005-x	2050203010-x
	30	2050006006-x			2050206006-x		
2000	10	2050006031-x	2050005030-x	2050003011-x	2050206030-x	2050205029-x	2050203011-x
	15	2050006032-x	2050005006-x	2050003012-x	2050206031-x	2050205006-x	2050203012-x
	30	2050006007-x	2050005007-x		2050206007-x	2050205007-x	
2500	10	2050006033-x	2050005031-x	2050003013-x	2050206032-x	2050205030-x	2050203013-x
	15	2050006034-x	2050005008-x	2050003014-x	2050206033-x	2050205008-x	2050203014-x
	30	2050006035-x	2050005009-x		2050206034-x	2050205009-x	
3000	10	2050006036-x	2050005032-x	2050003015-x	2050206035-x	2050205031-x	2050203015-x
	15	2050006037-x	2050005010-x	2050003016-x	2050206036-x	2050205010-x	2050203016-x
	30	2050006038-x	2050005011-x	2050003017-x	2050206037-x	2050205011-x	2050203017-x
	45	2050006009-x			2050206009-x		
4000	15	2050006039-x	2050005033-x	2050003019-x	2050206038-x	2050205032-x	2050203019-x
	30	2050006010-x	2050005012-x	2050003020-x	2050206010-x	2050205012-x	2050203020-x
	60	2050006011-x			2050206011-x		
5000	15	2050006040-x	2050005034-x	2050003021-x	2050206039-x	2050205033-x	2050203021-x
	30	2050006013-x	2050005014-x	2050003022-x	2050206013-x	2050205014-x	2050203022-x
	60	2050006014-x			2050206014-x		