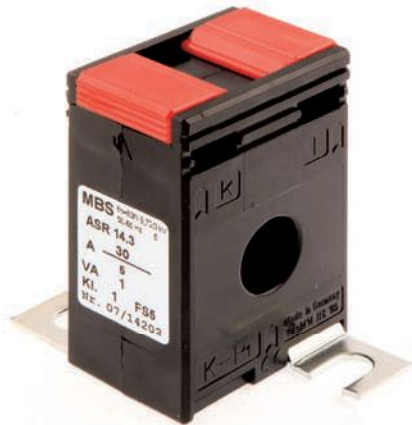
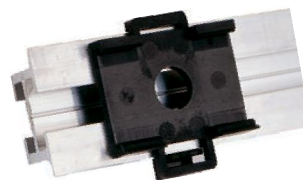
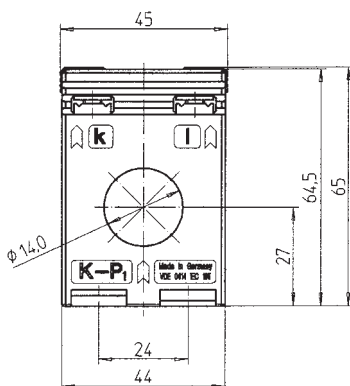
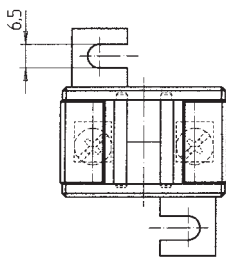
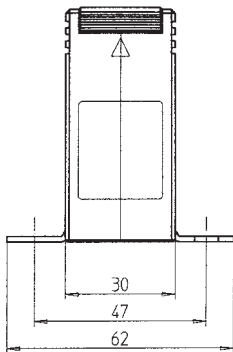


ASR 14.3

Tube current transformer



| Secondary current | | 5A | | 1A | |
|----------------------|--------------|----------------|----------|----------------|----------|
| Primary current A | Burden VA | Accuracy class | | Accuracy class | |
| | | 1 | 0.5 | 1 | 0.5 |
| | | Art.-no. | Art.-no. | Art.-no. | Art.-no. |
| 30 | 1 | 26080 | | 26280 | |
| 40 | 1 | 26081 | | 26281 | |
| 50 | 1.5 | 26082 | | 26282 | |
| 60 | 1.5 | 26083 | | 26283 | |
| 75 | 1.5 | 26084 | | 26284 | |



Snap-on mounting

| | |
|-------------------|---------------------------------------|
| Primary conductor | |
| Round conductor | Ø 14.0 mm |
| Transformer width | 45 mm |
| Snap-on mounting | Art.-no. 55013 see page 204 |
| Sealed shutter | — |
| Copper tubes | see page 204 |