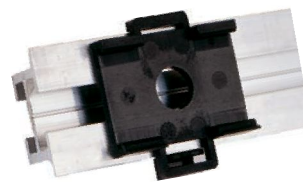
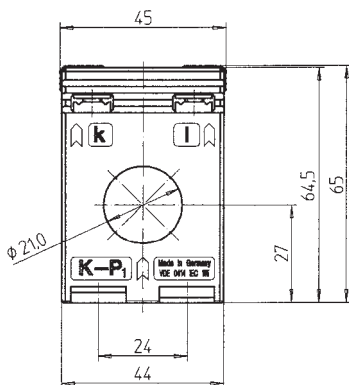
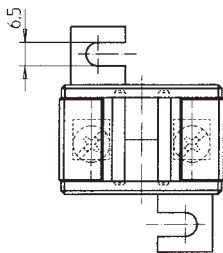
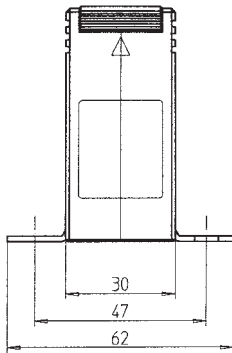


ASR 20.3

Tube current transformer



Snap-on mounting

Secondary current		5A			1A		
Primary current A	Burden VA	Accuracy class			Accuracy class		
		3	1	0.5	3	1	0.5
		Art.-no.	Art.-no.	Art.-no.	Art.-no.		
50	1	26027			26227		
60	1		26028			26228	
	1.25	26029			26229		
75	1.25		26030			26230	
	1.5		26031			26231	
80	1.25		26032			26232	
	1.5		26033			26233	
100	1.5		26034	26011		26234	26211
	2.5		26035			26235	
125	1.5		26036	26013		26236	26213
	2.5		26037	26014		26237	26214
	3.75				26238		
150	1.5		26039	26015		26239	26215
	2.5		26040	26016		26240	26216
	3.75		26041			26241	
200	1.5		26042	26017		26242	26217
	2.5		26043	26018		26243	26218
	3.75		26044	26019		26244	26219
250	2.5		26045	26020		26245	26220
	5		26046	26021		26246	26221
300	2.5		26048	26022		26248	26222
	5		26049	26023		26249	26223

Primary conductor	
Round conductor	$\varnothing 21.0$ mm
Transformer width	45 mm
Snap-on mounting	Art.-no. 55013 see page 204
Sealed shutter	—
Copper tubes	see page 204