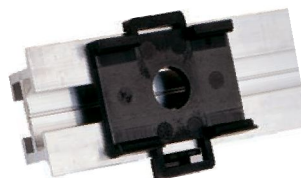
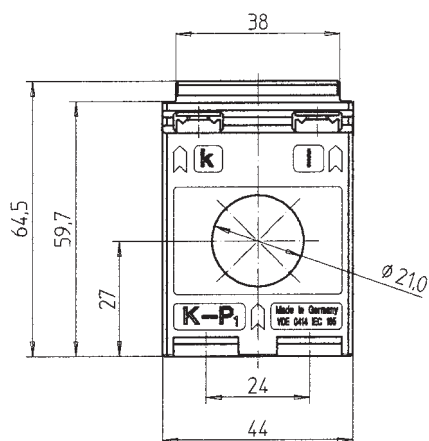
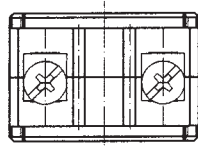
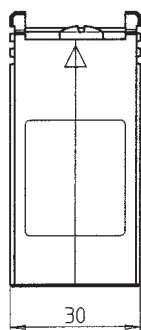




ASR 201.3

Tube current transformer



Snap-on mounting

Secondary current		5A			1A		
Primary current A	Burden VA	Accuracy class			Accuracy class		
		3	1	0.5	3	1	0.5
		Art.-no.	Art.-no.	Art.-no.	Art.-no.		
50	1	27027			27227		
60	1		27028			27228	
	1.25	27029			27229		
75	1.25		27030			27230	
	1.5		27031			27231	
80	1.25		27032			27232	
	1.5		27033			27233	
100	1.5		27034	27011		27234	27211
	2.5		27035			27235	
125	1.5		27036	27013		27236	27213
	2.5		27037	27014		27237	27214
	3.75				27238		
150	1.5		27039	27015		27239	27215
	2.5		27040	27016		27240	27216
	3.75		27041			27241	
200	1.5		27042	27017		27242	27217
	2.5		27043	27018		27243	27218
	3.75		27044	27019		27244	27219
250	2.5		27045	27020		27245	27220
	5		27046	27021		27246	27221
300	2.5		27048	27022		27248	27222
	5		27049	27023		27249	27223

Primary conductor	
Round conductor	Ø 21.0 mm
Transformer width	44 mm
Snap-on mounting	Art.-no. 55013 see page 204
Sealed shutter	—
Copper tubes	see page 204