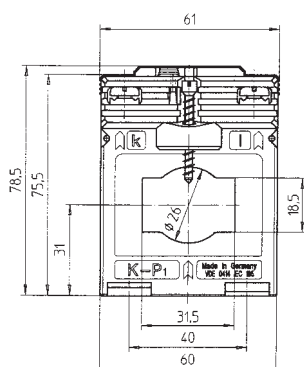
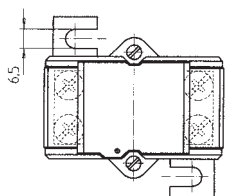
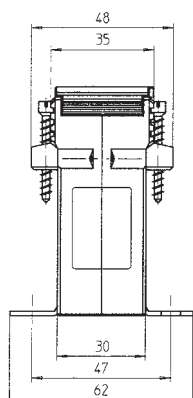


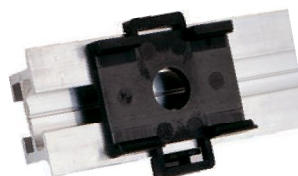


ASK 318.3

Plug-in current transformer



Secondary current		5A		1A	
Primary current A	Burden VA	Accuracy class		Accuracy class	
		1	0.5	1	0.5
		Art.-no.	Art.-no.	Art.-no.	Art.-no.
60	1	29042		29242	
75	1	29043		29243	
	1.5	29044		29244	
80	1.5	29045		29245	
	2.5	29046		29246	
100	1.5	29047	29011	29247	29211
	2.5	29048	29012	29248	29212
150	1.5	29049	29013	29249	29213
	2.5	29050	29014	29250	29214
200	2.5	29052	29016	29252	29216
	5	29053	29017	29253	29217
250	2.5	29055	29019	29255	29219
	5	29056	29020	29256	29220
	10	29057		29257	
300	2.5	29059	29023	29259	29223
	5	29060	29024	29260	29224
	10	29061		29261	
400	2.5	29063	29027	29263	29227
	5	29064	29028	29264	29228
	10	29065	29029	29265	29229
500	2.5	29066	29030	29266	29230
	5	29067	29031	29267	29231
	10	29068	29032	29268	29232
600	2.5	29069	29033	29269	29233
	5	29070	29034	29270	29234
	10	29071	29035	29271	29235
	15	29072	29036	29272	29236
750	2.5	29073	29037	29273	29237
	5	29074	29038	29274	29238
	10	29075	29039	29275	29239
	15	29076	29040	29276	29240



Snap-on mounting

Primary conductor	31 x 18 mm
Round conductor	Ø 26.0 mm
Transformer width	61 mm
Snap-on mounting	Art.-no. 53011 see page 204
Sealed shutter	Art.-no. 59040 see page 205