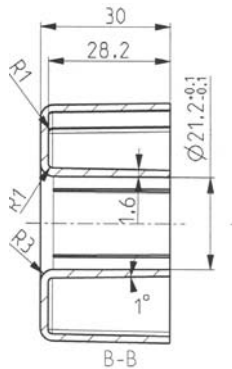
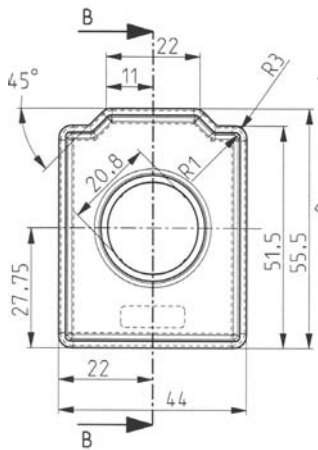


ASG 210.3

Tube current transformer
resin hardened



Secondary current		5A	1A
Primary current A	Burden VA	Accuracy class	Accuracy class
		1	1
		Art.-no.	Art.-no.
50	1	27500	27600
	1.25	27501	27601
60	1	27502	27602
	1.25	27503	27603
75	1.5	27504	27604
	1.25	27505	27605
80	1.5	27506	27606
	1.5	27507	27607
100	2.5	27508	27608
	1.5	27509	27609
125	2.5	27510	27610
	3.75	27511	27611
	1.5	27512	27612
150	2.5	27513	27613
	3.75	27514	27614
	1.5	27515	27615
200	2.5	27516	27616
	5	27517	27617
	250	2.5	27518
250	5	27519	27619
	7.5	27520	27620
	300	2.5	27521
300	5	27522	27622
	7.5	27523	27623

Connection cable 2.5 mm², 400 mm long.

Primary conductor	—
Round conductor	∅ 21 mm
Transformer width	44 mm
Snap-on mounting	—
Sealed shutter	—
Copper tubes	see page 204