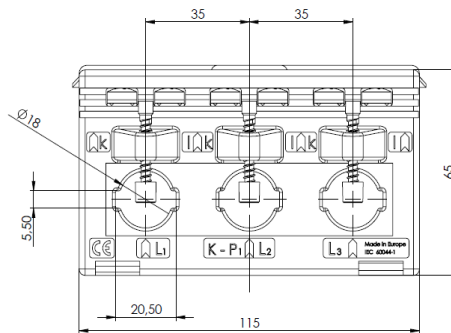
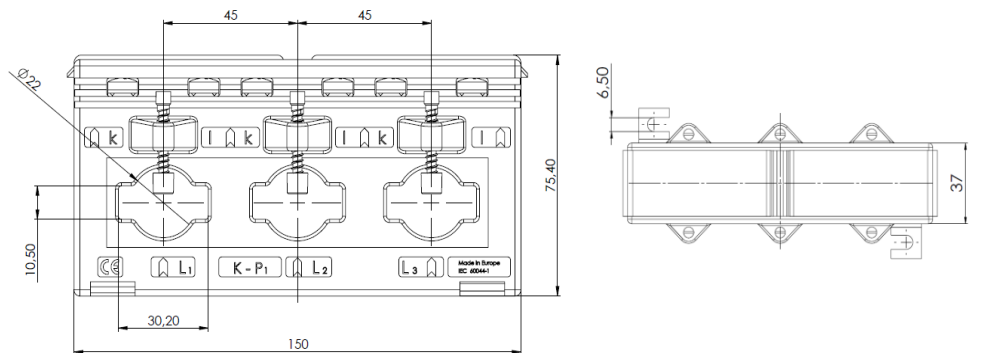


Three single-phase current transformers

ASRD 205.37



ASRD 310.37



General technical specifications:

Thermal nominal continuous rated current I_{cth} : $1.0 \times I_N$

Thermal nominal short-time current I_{th} : $60 \times I_N$, 1 sec.

Maximum operating voltage U_m : 0.72 kV

Isolation test voltage: 3 kV, U_{eff} , 50 Hz, 1 Min.

Rated frequency: 50 Hz

Isolation class: E

Applicable technical standards: DIN EN 60044/1
VDE 0414 Teil 1

Further information:

- Three single-phase current transformer set for switch closer installation in the field of power switches
- Low space requirements due to compact design
- Designed for primary use in conjunction with electronic measuring and display devices
- Over current rated limiting factor: See rating plate
- Operating temperature: $-5^\circ\text{C} < T < +40^\circ\text{C}$
- Storage temperature: $-25^\circ\text{C} < T < +70^\circ\text{C}$
- Unbreakable plastic housing of black polycarbonate, self-extinguishing, flame resistant
- Nickel-plated secondary terminals with plus-minus nickel-plated screw M5x10 mm
- Integrated secondary locking caps

Order list ASRD 205.37

Secondary current		5A	1A
Primary current [A]	Burden [VA]	Accuracy class	Accuracy class
		1	1
		Art.-no.	Art.-no.
100	1	D205-010	D205-020
150	1.25	D205-011	D205-021
200	1.5	D205-012	D205-022
250	2.5	D205-013	D205-023

Order list ASRD 310.37

Secondary current		5A	1A
Primary current [A]	Burden [VA]	Accuracy class	Accuracy class
		1	1
		Art.-no.	Art.-no.
250	2.5	D310-010	D310-020
300	3.75	D310-011	D310-021
400	5	D310-012	D310-022
500	5	D310-013	D310-023
600	5	D310-014	D310-024

Application example:

