

Three-phase current transformer sets

WSKD 31.8

ASKD 31.8

with Plexiglas caps

Configuration:

The measuring transformer set of the WSKD 31.8 / ASKD 31.8 conform to the following standards:

- DIN EN 60044/1
- DIN 42600
- VBG 4.

Mounted in housing units, are the current transformer sets, consisting of 3 identical individual current transformers, fitted on a metallic base plate made of aluminium with a neutral conductor. The WSKD 31.8 is produced as a wound current transformer with 3 fixed primary windings for primary currents up to 150 A.

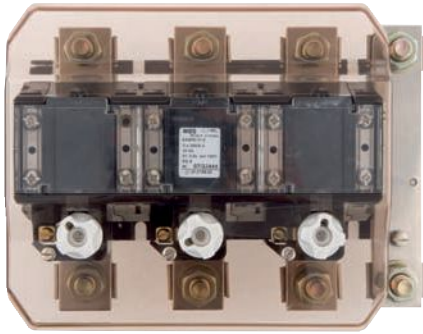
The ASKD 31.8 with primary nominal currents from 200 A are supplied with primary bus bars.

The current transformer set can be supplied with or without fuses. The voltage supply is optional and can be tapped either from the 10 A-fuse element or directly from the individual primary conductor.

With 4 mm bore-holes arranged within the secondary connection terminals, a short circuit of the secondary circuit is made possible, when interchanging energy meters. The transformer set can be supplied with or without a base plate (without a base plate there is no neutral conductor rail). All voltage carrying parts of the assembled current transformer sets are made shock-proof with isolating covers which are included in the deliveries.

General technical details:

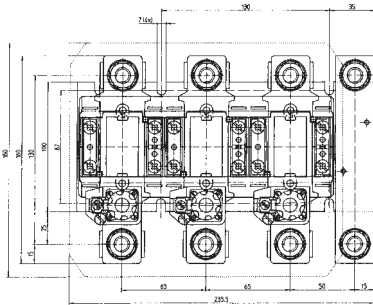
| | |
|---|--|
| Max. permitted operating voltage: | 0.72 kV |
| Rated frequency: | 50 Hz |
| Over current rated limiting factor: | FS 5 |
| Thermal rated continuous current intensity: | $1.2 \times I_N$ |
| Thermal rated short time current: | $50 \times I_N$ (WSKD 31.8) $60 \times I_N$ (ASKD 31.8) |
| Isolation class: | E |



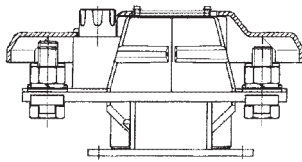
WSKD 31.8

Three-phase current transformer set

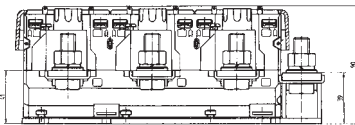
with base plate



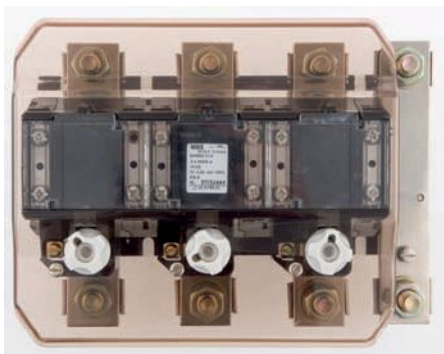
| Secondary current | | 5A | | 1A | |
|----------------------|--------------|----------------|----------|----------------|----------|
| Primary current A | Burden VA | Accuracy class | | Accuracy class | |
| | | 1 | 0.5 | 1 | 0.5 |
| | | Art.-no. | Art.-no. | Art.-no. | Art.-no. |
| 3 x 50 | 2.5 | 44030 | 44011 | 44230 | 44211 |
| | 5 | 44031 | 44012 | 44231 | 44212 |
| | 10 | 44032 | 44013 | 44232 | 44213 |
| 3 x 75 | 2.5 | 44034 | 44015 | 44234 | 44215 |
| | 5 | 44035 | 44016 | 44235 | 44216 |
| | 10 | 44036 | 44017 | 44236 | 44217 |
| 3 x 100 | 2.5 | 44038 | 44019 | 44238 | 44219 |
| | 5 | 44039 | 44020 | 44239 | 44220 |
| | 10 | 44040 | 44021 | 44240 | 44221 |
| 3 x 150 | 2.5 | 44042 | 44023 | 44242 | 44223 |
| | 5 | 44043 | 44024 | 44243 | 44224 |
| | 10 | 44044 | 44025 | 44244 | 44225 |



without base plate and neutral conductor



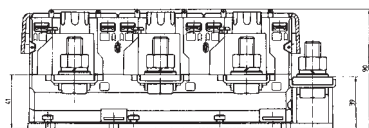
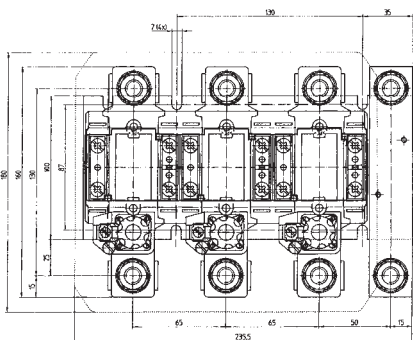
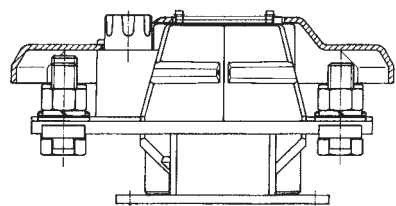
| Secondary current | | 5A | | 1A | |
|----------------------|--------------|----------------|----------|----------------|----------|
| Primary current A | Burden VA | Accuracy class | | Accuracy class | |
| | | 1 | 0.5 | 1 | 0.5 |
| | | Art.-no. | Art.-no. | Art.-no. | Art.-no. |
| 3 x 50 | 2.5 | 45030 | 45011 | 45230 | 45211 |
| | 5 | 45031 | 45012 | 45231 | 45212 |
| | 10 | 45032 | 45013 | 45232 | 45213 |
| 3 x 75 | 2.5 | 45034 | 45015 | 45234 | 45215 |
| | 5 | 45035 | 45016 | 45235 | 45216 |
| | 10 | 45036 | 45017 | 45236 | 45217 |
| 3 x 100 | 2.5 | 45038 | 45019 | 45238 | 45219 |
| | 5 | 45039 | 45020 | 45239 | 45220 |
| | 10 | 45040 | 45021 | 45240 | 45221 |
| 3 x 150 | 2.5 | 45042 | 45023 | 45242 | 45223 |
| | 5 | 45043 | 45024 | 45243 | 45224 |
| | 10 | 45044 | 45025 | 45244 | 45225 |



ASKD 31.8

Three-phase current transformer set

with base plate



| Secondary current | | 5A | | 1A | |
|----------------------|--------------|----------------|----------|----------------|----------|
| Primary current A | Burden VA | Accuracy class | | Accuracy class | |
| | | 1 | 0.5 | 1 | 0.5 |
| | | Art.-no. | Art.-no. | Art.-no. | Art.-no. |
| 3 x 200 | 2.5 | 46041 | 46011 | 46241 | 46211 |
| | 5 | 46042 | 46012 | 46242 | 46212 |
| | 10 | 46043 | 46013 | 46243 | 46213 |
| 3 x 250 | 2.5 | 46045 | 46015 | 46245 | 46215 |
| | 5 | 46046 | 46016 | 46246 | 46216 |
| | 10 | 46047 | 46017 | 46247 | 46217 |
| 3 x 300 | 2.5 | 46049 | 46019 | 46249 | 46219 |
| | 5 | 46050 | 46020 | 46250 | 46220 |
| | 10 | 46051 | 46021 | 46251 | 46221 |
| | 15 | 46052 | 46022 | 46252 | 46222 |
| 3 x 400 | 2.5 | 46053 | 46023 | 46253 | 46223 |
| | 5 | 46054 | 46024 | 46254 | 46224 |
| | 10 | 46055 | 46025 | 46255 | 46225 |
| | 15 | 46056 | 46026 | 46256 | 46226 |
| 3 x 500 | 2.5 | 46058 | 46028 | 46258 | 46228 |
| | 5 | 46059 | 46029 | 46259 | 46229 |
| | 10 | 46060 | 46030 | 46260 | 46230 |
| | 15 | 46061 | 46031 | 46261 | 46231 |
| 3 x 600 | 2.5 | 46063 | 46033 | 46263 | 46233 |
| | 5 | 46064 | 46034 | 46264 | 46234 |
| | 10 | 46065 | 46035 | 46265 | 46235 |
| | 15 | 46066 | 46036 | 46266 | 46236 |

without base plate and neutral conductor

| Secondary current | | 5A | | 1A | |
|----------------------|--------------|----------------|----------|----------------|----------|
| Primary current A | Burden VA | Accuracy class | | Accuracy class | |
| | | 1 | 0.5 | 1 | 0.5 |
| | | Art.-no. | Art.-no. | Art.-no. | Art.-no. |
| 3 x 200 | 2.5 | 47041 | 47011 | 47241 | 47211 |
| | 5 | 47042 | 47012 | 47242 | 47212 |
| | 10 | 47043 | 47013 | 47243 | 47213 |
| 3 x 250 | 2.5 | 47045 | 47015 | 47245 | 47215 |
| | 5 | 47046 | 47016 | 47246 | 47216 |
| | 10 | 47047 | 47017 | 47247 | 47217 |
| 3 x 300 | 2.5 | 47049 | 47019 | 47249 | 47219 |
| | 5 | 47050 | 47020 | 47250 | 47220 |
| | 10 | 47051 | 47021 | 47251 | 47221 |
| | 15 | 47052 | 47022 | 47252 | 47222 |
| 3 x 400 | 2.5 | 47053 | 47023 | 47253 | 47223 |
| | 5 | 47054 | 47024 | 47254 | 47224 |
| | 10 | 47055 | 47025 | 47255 | 47225 |
| | 15 | 47056 | 47026 | 47256 | 47226 |
| 3 x 500 | 2.5 | 47058 | 47028 | 47258 | 47228 |
| | 5 | 47059 | 47029 | 47259 | 47229 |
| | 10 | 47060 | 47030 | 47260 | 47230 |
| | 15 | 47061 | 47031 | 47261 | 47231 |
| 3 x 600 | 2.5 | 47063 | 47033 | 47263 | 47233 |
| | 5 | 47064 | 47034 | 47264 | 47234 |
| | 10 | 47065 | 47035 | 47265 | 47235 |
| | 15 | 47066 | 47036 | 47266 | 47236 |