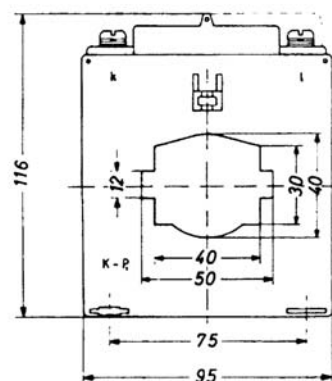
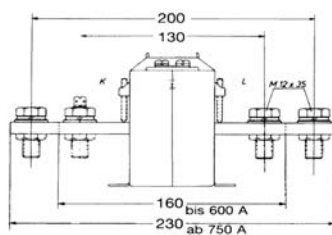
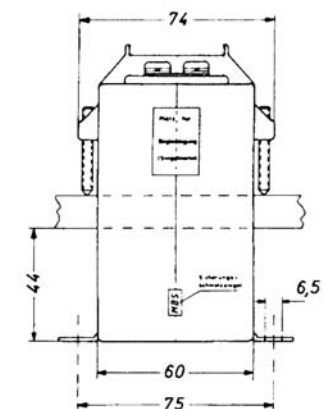




# SASK 51.6

Protection plug-in current transformer



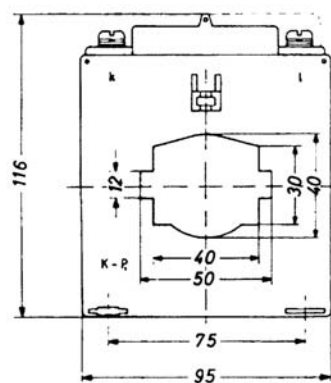
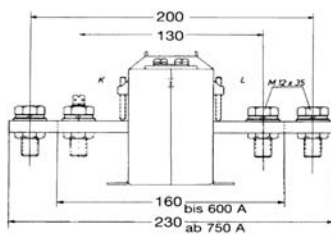
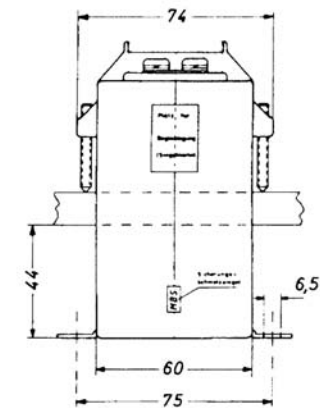
Secondary current		5A			
Primary current A	Burden VA	Protection class			
		5P5 Art.-no.	10P5 Art.-no.	5P10 Art.-no.	10P10 Art.-no.
150	1.5	S37-1606C	S37-1607C	S37-1608C	S37-1609C
	2.5	S37-1606D	S37-1607D		
200	1.5	S37-1706C	S37-1707C	S37-1708C	S37-1709C
	2.5	S37-1706D	S37-1707D		
	5	S37-1706F	S37-1707F		
250	2.5	S37-1806D	S37-1807D	S37-1808D	S37-1809D
	5	S37-1806F	S37-1807F		
	7.5		S37-1807G		
300	2.5	S37-1906D	S37-1907D	S37-1908D	S37-1909D
	5	S37-1906F	S37-1907F		
	7.5	S37-1906G	S37-1907G		
400	2.5	S37-2006D	S37-2007D	S37-2008D	S37-2009D
	5	S37-2006F	S37-2007F		
	7.5	S37-2006G	S37-2007G		
500	2.5	S37-2106D	S37-2107D	S37-2108D	S37-2109D
	5	S37-2106F	S37-2107F		
	7.5	S37-2106G	S37-2107G		
	10	S37-2106H	S37-2107H		
600	2.5	S37-2206D	S37-2207D	S37-2208D	S37-2209D
	5	S37-2206F	S37-2207F		
	7.5	S37-2206G	S37-2207G		
	10	S37-2206H	S37-2207H		
750	2.5	S37-2306D	S37-2307D	S37-2308D	S37-2309D
	5	S37-2306F	S37-2307F	S37-2308F	S37-2309F
	7.5	S37-2306G	S37-2307G		
1000	10	S37-2306H	S37-2307H		
	2.5	S37-2506D	S37-2507D	S37-2508D	S37-2509D
	5	S37-2506F	S37-2507F	S37-2508F	S37-2509F
	7.5	S37-2506G	S37-2507G		
	10	S37-2506H	S37-2507H		

Primary conductor	50 x 12 mm 40 x 30 mm
Round conductor	Ø 40 mm
Transformer width	95 mm
Snap-on mounting	—
Sealed shutter	<b>Art.-no. 59044</b> see page 205
Current transformer for industrial applications	see page 67
Current transformer for tariff applications	see page 179



# SASK 51.6

Protection plug-in current transformer



Secondary current		1A			
Primary current A	Burden VA	Protection class			
		5P5 Art.-no.	10P5 Art.-no.	5P10 Art.-no.	10P10 Art.-no.
150	1.5	S37-1616C	S37-1617C	S37-1618C	S37-1619C
	2.5	S37-1616D	S37-1617D		
200	1.5	S37-1716C	S37-1717C	S37-1718C	S37-1719C
	2.5	S37-1716D	S37-1717D	S37-1718D	S37-1719D
	5	S37-1716F	S37-1717F		
250	2.5	S37-1816D	S37-1817D	S37-1818D	S37-1819D
	5	S37-1816F	S37-1817F		
	7.5		S37-1817G		
300	2.5	S37-1916D	S37-1917D	S37-1918D	S37-1919D
	5	S37-1916F	S37-1917F		
	7.5		S37-1917G		
400	2.5	S37-2016D	S37-2017D	S37-2018D	S37-2019D
	5	S37-2016F	S37-2017F		
	7.5	S37-2016G	S37-2017G		
500	2.5	S37-2116D	S37-2117D	S37-2118D	S37-2119D
	5	S37-2116F	S37-2117F		S37-2119F
	7.5	S37-2116G	S37-2117G		
	10	S37-2116H	S37-2117H		
600	2.5	S37-2216D	S37-2217D	S37-2218D	S37-2219D
	5	S37-2216F	S37-2217F	S37-2218F	S37-2219F
	7.5	S37-2216G	S37-2217G		
	10	S37-2216H	S37-2217H		
750	2.5	S37-2316D	S37-2317D	S37-2318D	S37-2319D
	5	S37-2316F	S37-2317F	S37-2318F	S37-2319F
	7.5	S37-2316G	S37-2317G		
	10	S37-2316H	S37-2317H		
1000	2.5	S37-2516D	S37-2517D	S37-2518D	S37-2519D
	5	S37-2516F	S37-2517F	S37-2518F	S37-2519F
	7.5	S37-2516G	S37-2517G		
	10	S37-2516H	S37-2517H		

Primary conductor	50 x 12 mm 40 x 30 mm
Round conductor	Ø 40 mm
Transformer width	95 mm
Snap-on mounting	—
Sealed shutter	<b>Art.-no. 59044</b> see page 205
Current transformer for industrial applications	see page 67
Current transformer for tariff applications	see page 179