

Main features

- Range of measurement: from 10 to 100 kN
- Accuracy class: 0,2%
- All stainless steel construction
- Corrosion resistant
- Internally generated calibration signal
- Grade of protection: IP65 (DIN 40050)

The TH series force transducers are ideal for systems that measure tension or compression force in industrial applications, where accuracy and reliability are important, even in harsh environments.

The disposition of the (8) strain gauges of the measurement bridges uses the deformation produced by the shear force of the applied load. It is thus possible to make accurate force transducers that are rugged and insensitive to lateral loads.

The transducer is machined from a solid block of stainless steel and contains no welds or joints.

The electrical circuit is protected by sealed formed stainless steel plates.

TECHNICAL DATA

Accuracy

0,2%

Nominal full scale load (Ln)

10...100 kN

Nominal output at FSO

2mV/V

Output tolerance at Ln

$< \pm 1\%$ FSO

Combined errors: Non linearity, Hysteresis, Repeatability

$< \pm 0,2\%$ FSO

Creep (after 30 min. at Ln)

$< \pm 0,06\%$ FSO

Zero load out of balance signal

$< \pm 1\%$ FSO

Calibration signal *

80%FSO $\pm 1\%$

Thermal drift in compensated range

Sensitivity: $< \pm 0,02\%$ FSO $^{\circ}$ C

Zero: $< \pm 0,02\%$ FSO $^{\circ}$ C

Calibration: $< \pm 0,02\%$ FSO $^{\circ}$ C

Nominal input resistance

700 Ohm

Nominal output resistance

> 10 GOhm

Nominal supply voltage

10 V

Maximum supply voltage

18 V

Compensated temperature range

-20...+50 $^{\circ}$ C

Maximum temperature range

-20...+60 $^{\circ}$ C

Storage temperature range

-30...+80 $^{\circ}$ C

Permitted static load

130% Ln

Maximum applicable load

150% Ln

Rupture load

$> 300\%$ Ln

Carico statico laterale max.

150% Ln

Maximum elastic deformation at Ln

$< 0,1$ mm

Grade of protection (DIN40050)

IP65

Electr. connections

Connector: VPT02A10-6PT2

Elastic element material

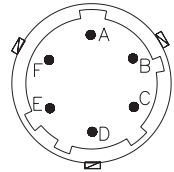
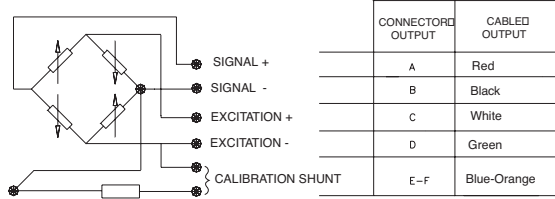
Stainless steel

Case material

Stainless steel

* The exact value is indicated on the instrument nameplate.

ELECTRICAL CONNECTIONS

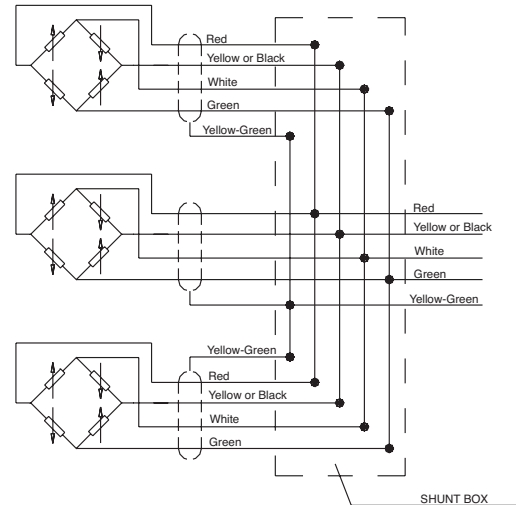


VPT02A10-6PT2 CONNECTOR

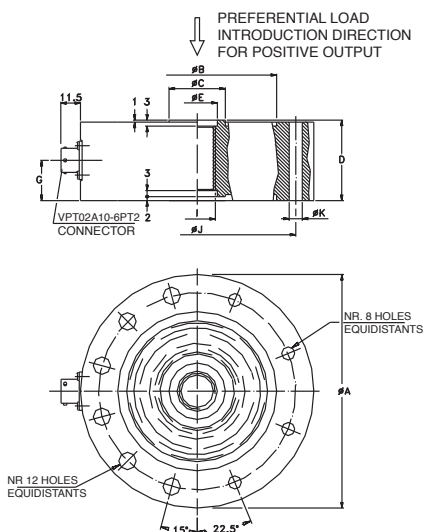
If the transducer is supplied complete with prewired connection cable, the colour code is that indicated in the table.

In systems that use several cells, the parallel connection automatically sums the loads on each individual cell. Using this method of measurement, the maximum load will be the sum of the loads on the individual cells and the sensitivity will be the average value of these cells. It is important that the user ensures that no cell is stressed beyond its maximum rating under any load condition.

Cells connected in parallel



MECHANICAL DIMENSIONS



	Ln (kN)				
	10	20	30	50	100
∅ A	116			154	
∅ B	79			110	
∅ C	28			59	
D	40			45	
∅ E	20			35	
I	M18x1,5			M30x2	
∅ J	98			130	
∅ K	6,5			11	
Screws nr.	8xM6			12xM10	
Nm*	20			90	

Dimensions mm. (± 0,1)
* Recommended torque with UNI 5931 screws of resistance class 10.9 according to UNI 3740.

CONVERSION TABLE

Kg	N	Lb
1	9.807	2.205
0.102	1	0.225
0.454	4.448	1

OPTIONAL ACCESSORIES

Female cable connector	
Grade of protection IP65	CON 300
6-pin connector with 8m (25ft) cable	C08W
6-pin connector with 15m (50ft) cable	C15W
6-pin connector with 25m (75ft) cable	C25W
6-pin connector with 30m (100ft) cable	C30W
Other lengths	consult factory

ORDER CODE

Force transducer **TH**

MEASUREMENT RANGE (kN)	
0 - 10	KN1D
0 - 20	KN2D
0 - 30	KN3D
0 - 50	KN5D
0 - 100	KN1C

If request, it is possible to supply models with non-standard mechanical and/or electrical features.

EX: TH - KN5D
TH force transducer, with measurement range 0 - 50 kN.

GEFRAN spa reserves the right to make any kind of design or functional modification at any moment without prior notice.