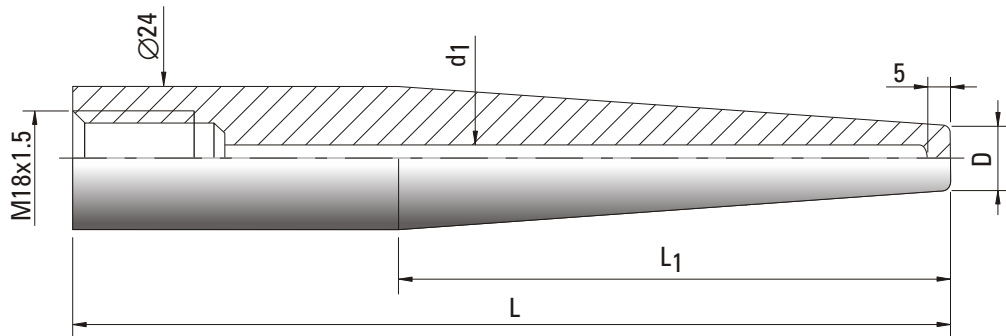


DRILLED THERMOWELLS

page 1 of 2

Drilled thermowell for welding

Designed for temperature sensors for liquids and gases under high pressure.
 Pressure tested: 500 bar, 20 ° C.



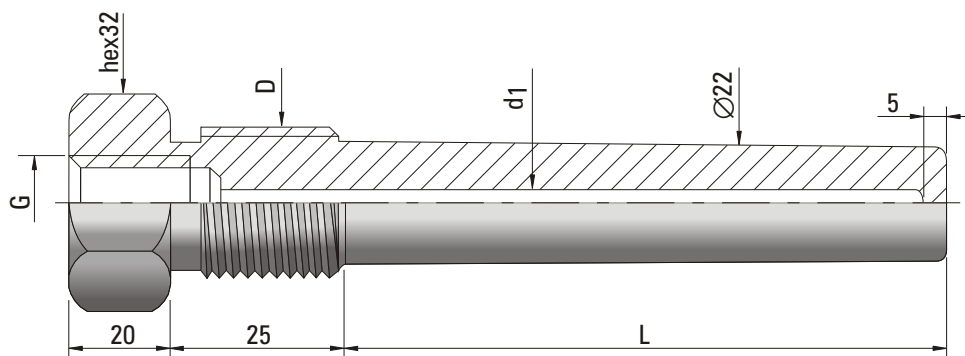
Type	L (mm) ⁽¹⁾	L ₁ (mm) ⁽¹⁾	d ₁ (mm) / D (mm) ⁽¹⁾	Material ⁽¹⁾
D1	100	50	$\varnothing 7,0 / \varnothing 12,5$ or $\varnothing 9,0 / \varnothing 14,5$	1.4305 or 1.4571 or 1.4541
D2	200	150		
D3	300	200		
D4	400	250		
D5	500			
D6	600			

⁽¹⁾ Other parameters on demand

Example for order: D1-7/12,5-1.4305; D5-9/14,5-1.4541

Drilled thermowell with external thread

Designed for temperature sensors for liquids and gases under high pressure.
 Pressure tested: 500 bar, 20 ° C.



Type	L (mm) ⁽¹⁾	d ₁ (mm) ⁽¹⁾	D ⁽¹⁾	G ⁽¹⁾	Material ⁽¹⁾
E0	50	$\varnothing 7,0$ lub $\varnothing 9,0$	M27x2 lub G3/4"	M20x1,5 lub G1/2"	1.4305 lub 1.4571 lub 1.4541
E1	100				
E2	200				
E3	300				
E4	400				
E5	500				
E6	600				

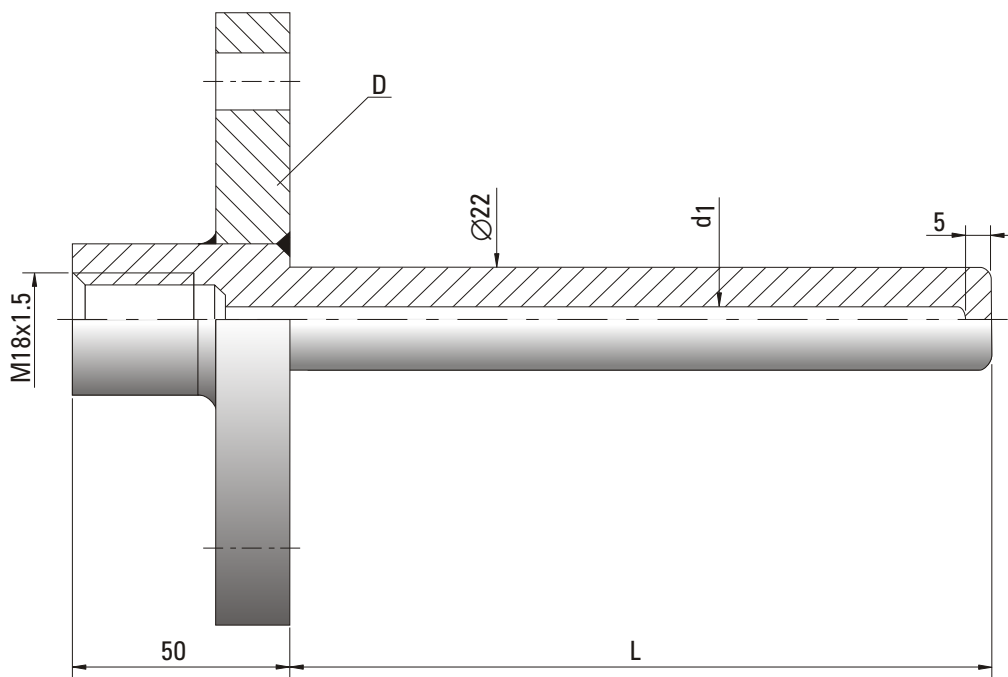
⁽¹⁾ Other parameters on demand

Example for order: E2-7-M27x2-G1/2"-1.4305; E6-9-G3/4"-G1/2"-1.4305

DRILLED THERMOWELLS

Drilled thermowell with flange

Designed for temperature sensors for liquids and gases under high pressure.
 Pressure tested: 500 bar, 20 ° C.



Type	L (mm) ⁽¹⁾	d ₁ (mm)	D	Material ⁽¹⁾
F1	100	Ø7,0 or Ø9,0	acc. to ISO 7005-1	1.4305 or 1.4571 or 1.4541
F2	200			
F3	300			
F4	400			
F5	500			
F6	600			

⁽¹⁾ Other parameters on demand

Example for order: F2-7-DN100PN40-1.4305