

The K7 Series are for use in high temperature applications where the process temperatures may reach 538°C (1000°F) such as high temperature engineered polymers.

This series utilizes standard melt pressure principles and construction, but uses a near incompressible (NAK Sodium Potassium) for pressure transmission.

The physical quantity is transformed in an electrical measure by means of the thick film strain-gauge technology. The SIL2 certified version makes the product suitable for use in the Functional Safety applications, particularly in the process plants for the production of polymers, where it is an essential requirement.

MAIN FEATURES

- Pressure ranges from:
0-17 to 0-1000 bar / 0-250 to 0-15000 psi
- Accuracy: $\pm 0.25\%$ FS (H); $\pm 0.5\%$ FS (M)
- SIL2 approvals for Functional Safety
- Hydraulic transmission system for pressure signal guarantees stability at working temperature (NaK). Liquid conforming to RoHS Directive.
- 1/2-20UNF, M18x1.5 standard threads; other types available on request
- Autozero function on board / external option
- Stem drift Autocompensation function (SP version)
- Inconel 718 diaphragm with GTP+ coating for temperatures up to 538°C (1000°F)
- 15-5 PH diaphragm with GTP+ coating for temperatures up to 400°C (750°F)
- Hastelloy C276 diaphragm for temperatures up to 300°C (570°F)
- 17-7 PH corrugated diaphragm with GTP+ coating for ranges below 100 bar-1500 psi up to 400°C (750°F)
- Material of stem 17-4PH

GTP+ (advanced protection)

Coating with high resistance against corrosion, abrasion and high temperature

AUTOZERO FUNCTION

All signal variations in the absence of pressure can be eliminated by using the Autozero function.

This function is activated by closing a magnetic contact located on the transmitter housing.

The procedure is permitted only with pressure at zero.

AUTOCOMPENSATED INFLUENCE OF MELT TEMPERATURE

Thanks to internal self-compensation, the KSP series transmitter cancels the effect of pressure signal variation caused by variation of Melt temperature.

This reduces at the minimum the read error caused by heating of the filling fluid (typical of all sensors built with "filled" technology).

The drift values declared in the version with Autocompensation are valid for media temperatures up to 500°C.

TECHNICAL SPECIFICATIONS

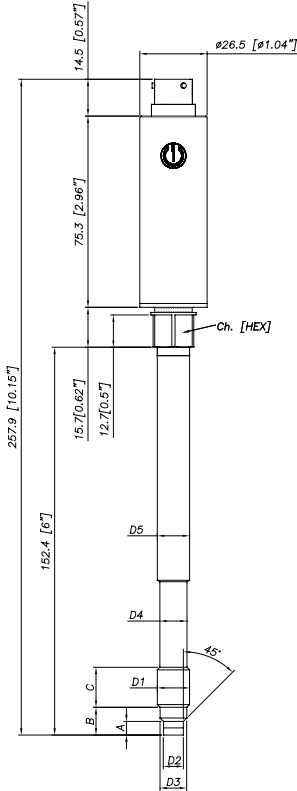
Accuracy (1)	H $\leq \pm 0.25\%$FS (100...1000 bar) M $\leq \pm 0.5\%$FS (17...1000 bar)
Resolution	Infinite
Measurement range	0..17 to 0..1000bar 0..250 to 0..15000psi
Maximum overpressure (without degrading performances)	2 x FS 1.5 x FS over 700bar/10000psi
Measurement principle	Extensimetric thick film
Power supply	15..30Vdc N, C 10..30Vdc B, M
Maximum current absorption	25mA
Insulation resistance (at 50Vdc)	>1000 MOhm
Output signal Full Scale (FS)	10...30Vdc (B) 15...30Vdc (C,7)
Zero balance (tolerance $\pm 0.25\%$ FS)	0.5Vdc (7) - 0.1Vdc (B,C)
Zero signals adjustment (tolerance $\pm 0.25\%$ FS)	"Autozero" function
Span adjustment within $\pm 5\%$ FS	See Melt manual
Maximum allowed load	1 mA
Response time (10...90% FS)	~ 1ms
Output noise (RMS 10-400Hz)	<math>< 0.025\%</math> FS
Calibration signal	80% FS
Output short circuit and reverse polarity protection	YES
Compensated temperature range	0...+85°C
Operating temperature range	-30...+105°C
Storage temperature range	-40...+125°C
Thermal drift in compensated range: Zero / Calibration / Sensibility	<math>< 0.02\%</math> FS/°C
Diaphragm maximum temperature	538°C 1000°F
Zero drift (zero)	<math>< 3.5\text{bar}/100^\circ\text{C}</math> / <math>< 28\text{psi}/100^\circ\text{F}</math>
Zero drift temperature for Autocompensated version (SP) within the temperature range 20°C-500°C inclusive the drift temperature of the housing	<math>< 0.005\text{bar}/^\circ\text{C}</math> $100 \leq p < 500\text{bar}</math>0.0022%FS/°C p \geq 500\text{bar}</math>$
Thermocouple (model K72)	STD : tipo "J" (isolated junction)
Protection degree (with 6-pole female connector CON300)	IP66
SIL2 certification	IEC/EN 62061 IEC 61508

FS = Full Scale Output

(1) BFSL method (Best Fit Straight Line): includes combined effects of Non-Linearity, Hysteresis and Repeatability (according to IEC 62828-2).

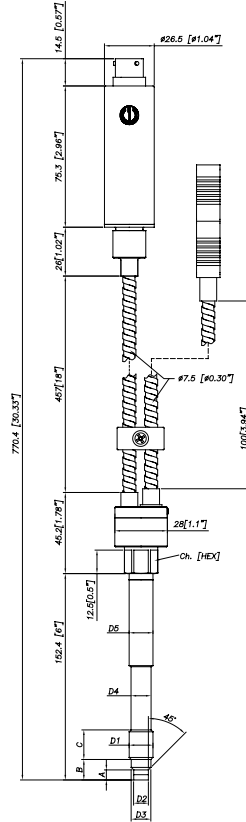
MECHANICAL DIMENSIONS

K70

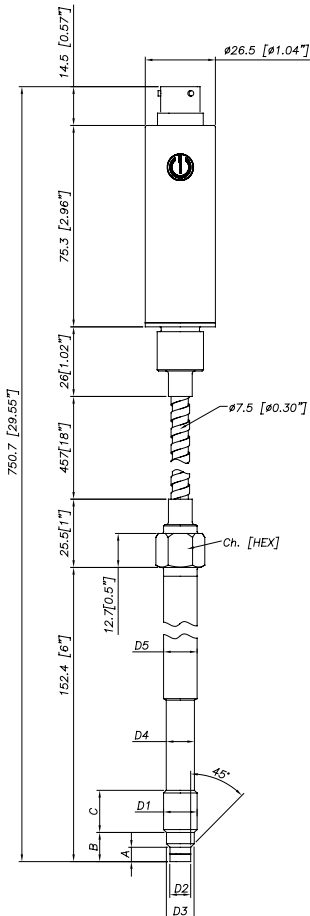


D1	1/2 - 20UNF
D2	$\phi 7.8 - 0.05$ [$\phi 0.31$ - 0.002]
D3	$\phi 10.5 - 0.025$ [$\phi 0.41$ - 0.001]
D4	$\phi 10.67$ [$\phi 0.42$]
D5	$\phi 12.7$ [$\phi 0.5$]
A	5.56 - 0.26 [0.22 - 0.01]
B	11.2 [0.44]
C	15.74 [0.62]
Ch [Hex]	16 [5/8]

K72

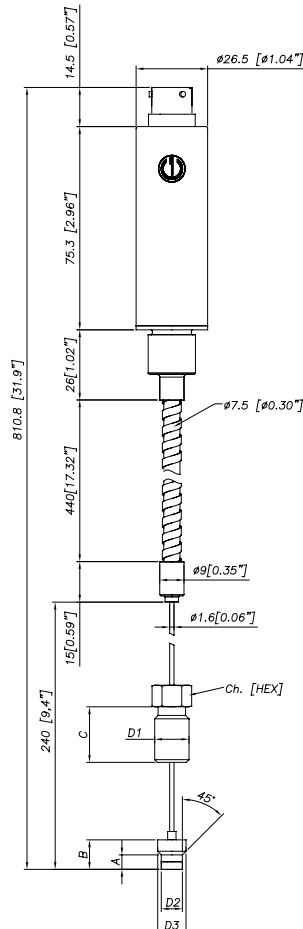


K71



D1	M18x1.5
D2	$\phi 10 - 0.05$ [$\phi 0.394$ - 0.002]
D3	$\phi 16 - 0.08$ [$\phi 0.63$ - 0.003]
D4	$\phi 16 - 0.4$ [$\phi 0.63$ - 0.016]
D5	$\phi 18$ [$\phi 0.71$]
A	6 - 0.26 [0.24 - 0.01]
B	14.8 - 0.4 [0.58 - 0.016]
C	19 [0.75]
Ch [Hex]	19 [3/4]

K73



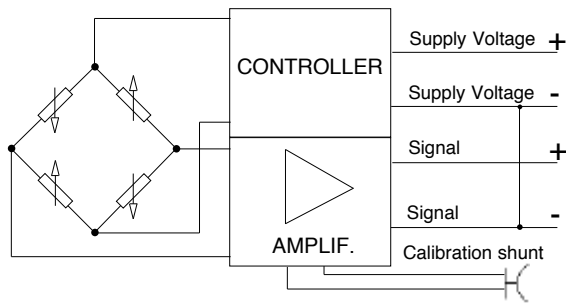
Exposed capillary	
D1	1/2-20UNF
D2	.307/.305" [7.80/7.75mm]
D3	.414/.412" [10.52/10.46mm]
A	.125/.120" [3.18/3.05mm]
B	.318/.312" [8.08/7.92mm]
C	.81" [20.6mm]

NOTE : dimensions refer to rigid stem length option "4" (153 mm – 6")

WARNING : For installation use a maximum tightening torque of 56 Nm(500 in-lb)

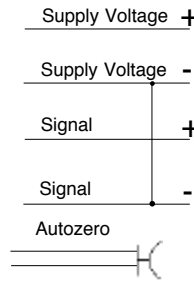
ELECTRICAL CONNECTIONS

VOLTAGE OUTPUT (B, C, 7)



MAGNETIC AUTOZERO

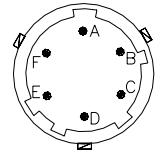
6-pin
C
D
A
B
E - F



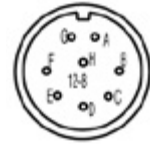
EXTERNAL AUTOZERO

6-pin
C
D
A
B
E - F

6 pin connector
VPT07RA10-6PT2
(PT02A-10-6P)

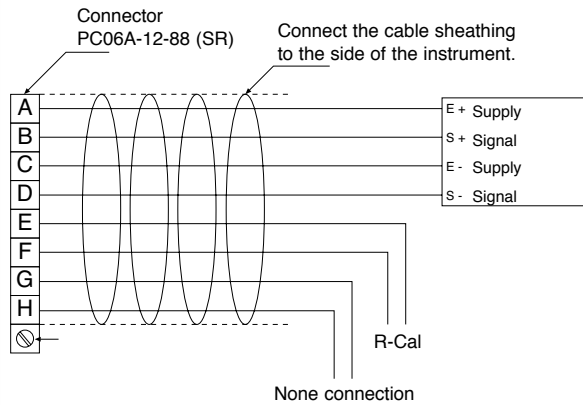


8 pin connector
PC02E-12-8P Bendix



Shield drain wire is tied to connector via cable clamp

8-pin connector



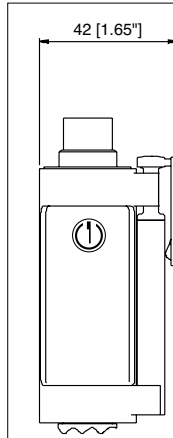
Magnetic Autozero version

- A = Excitation + (white)
- B = Signal + (red)
- C = Excitation - (green)
- D = Signal - (black)
- E = R-Cal (blue)
- F = R-Cal (brown)
- G = no connection
- H = no connection

External Autozero version

- A = Excitation + (white)
- B = Signal + (red)
- C = Excitation - (green)
- D = Signal - (black)
- E = Autozero (blue)
- F = Autozero (brown)
- G = no connection
- H = no connection

AUTOZERO FUNCTION



The Autozero function is activated through a magnetic contact (external magnet supplied with the sensor). See the manual for a complete Autozero function explanation.

ACCESSORIES

Connectors

6-pin female connector (IP66 protection degree)

CON300

8-pin female connector

CON307

Extension cables

- 6-pin connector with 8m (25 ft) cable
- 6-pin connector with 15m(50 ft) cable
- 6-pin connector with 25m (75 ft) cable
- 6-pin connector with 30m (100 ft) cable
- 8-pin connector with 8m (25 ft) cable
- 8-pin connector with 15m (50 ft) cable
- 8-pin connector with 25m (75 ft) cable
- 8-pin connector with 30m (100 ft) cable

- C08WLS**
- C15WLS**
- C25WLS**
- C30WLS**
- E08WLS**
- E15WLS**
- E25WLS**
- E30WLS**

on request

Accessories

- Mounting bracket
- Dummy plug for 1/2-20 UNF
- Dummy plug for M18x1,5
- Drill kit for 1/2 -20 UNF
- Drill kit for M18 x 1,5
- Cleaning kit for 1/2-20 UNF
- Cleaning kit for M18x1,5
- Fixing pen clip
- Autozero pen
- Thermocouple for K72 model**
- Type "J" (153mm - 6" rigid stem)

- SF18**
- SC12**
- SC18**
- KF12**
- KF18**
- CT12**
- CT18**
- PKIT309**
- PKIT312**
- TTER 601**

Cable color code 6 wires

Conn.	Wire
A	Red
B	Black
C	White
D	Green
E	Blue
F	Orange

Codice colore cavo 8 wires

Conn.	Wire
A	White
B	Red
C	Green
D	Black
E	Blue
F	Orange
G	n.c.
H	n.c.

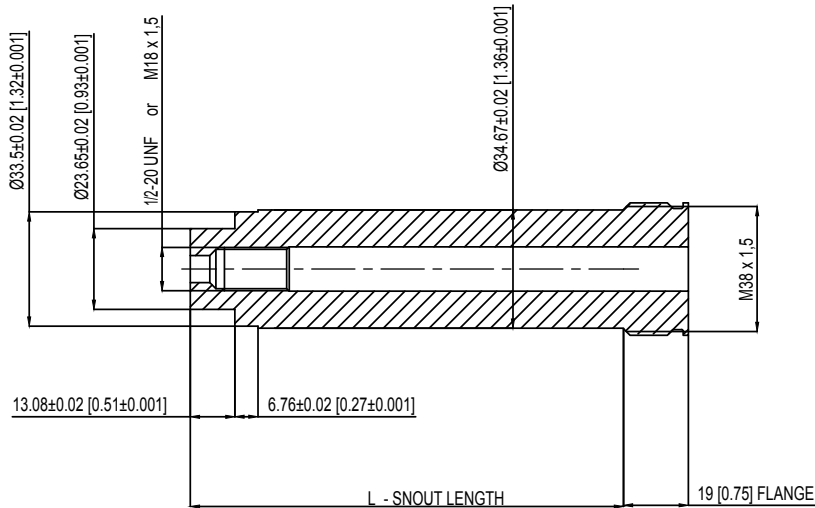
PROCESS FLANGE ADAPTER

The process flange adapter is a sensor accessory that allows for the installation of 1/2-20 UNF or M18x1.5 melt pressure sensor in a button seal style process mounting port. The adapter is made with an adapter body with different snout lengths plus an adapter flange available in different sizes (see tables and drawing below). Each combination of snout and flange is available according to the ordering information with a specific ordering code.

SPECIFICATIONS

- Pressure range: according to the selected sensor (up to 1000 bar/15000 psi max)
- Temperature range: according to the selected sensor
- Material of construction: 17-4PH Stainless steel

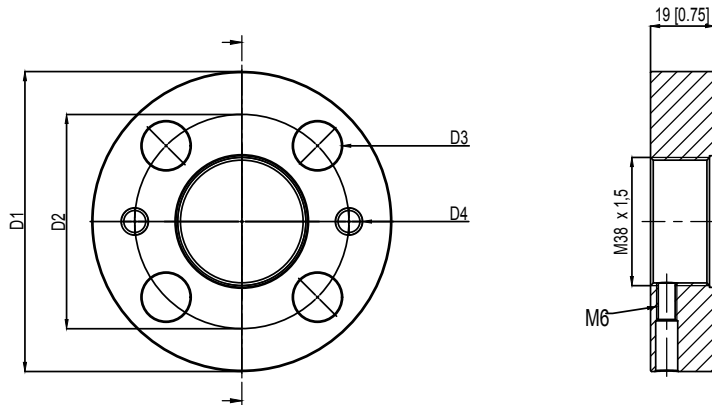
ADAPTER BODY



1/2-20 UNF	L - SNOUT LENGTH
STE1020	127 [5]
STE1021	51,6 [2,031]

M18 X 1,5	L - SNOUT LENGTH
STE1022	127 [5]
STE1023	51,6 [2,031]

ADAPTER FLANGE



	FLA960	FLA961
D1	82,6 [3,25]	88,9 [3,50]
D2	54 [2,14]	63,5 [2,50]
D3	13,2 [0,52]	14,3 [0,56]
D4	5/16-18 UNC	5/16-18 UNC

ORDER CODE

KIT - 5 - 0 - 1

Snout length	
5 inch [127 mm]	5
2,031 inch [51,6 mm]	2

Flange type (see technical drawing)	
FLA960	0
FLA961	1

Thread dimensions	
1/2-20 UNF	1
M18 x 1,5	4

ADAPTER GASKETS			
Material	Dimensions	Max Pressure	Ord. Code
Aluminium	30.2 mm [1.19"] OD 24.1 mm [.950"] ID	200 bar/3000 psi	RON360
AISI 303 SS	30.2 mm [1.19"] OD 24.1 mm [.950"] ID	700 bar/10000 psi	RON361

Example:

KIT501

Process adapter with 5" snout length, 82.6 mm size flange, suitable for 1/2-20 UNF melt sensor

ORDER CODE

K - - - - - [] [] [] [] [] [] [] [] [] [] [] [] [] [] **000**

Autocompensation (*)	SP
Standard	-
(*) available for ranges > to 100bar (*) not available for version K73	

OUTPUT SIGNAL	
0.5 .. 10.5Vdc	7
0.1 .. 10.1Vdc	C
0.1 .. 5.1Vdc	B

VERSION	
Rigid stem	0
Rigid + flexible stem	1
With thermocouple	2
Exposed capillary	3

CONNECTOR	
Standard	
6 pin	6
8 pin	8

ACCURACY CLASS	
0.25% FS (ranges \geq 100 bar/1500 psi)	H
0.5% FS	M

RANGE			
bar (*)		psi (*)	
17	B17U	250	P25D
35	B35U	500	P05C
50	B05D	750	P75D
70	B07D	1000	P01M
100	B01C	1500	P15C
200	B02C	3000	P03M
350	B35D	5000	P05M
500	B05C	7500	P75C
700	B07C	10000	P10M
1000	B01M	15000	P15M

(*) Hastelloy diaphragm not available for pressure range \leq 70 bar (1000 psi)

THREAD	
Standard	
1/2 - 20 UNF	1
M18 x 1.5	4

000= Standard version
Special or customized versions available on request

E	External autozero
-	Magnetic autozero

S	SIL2 certification
----------	--------------------

CONTACT DIAPHRAGM	
I	INCONEL 718 (538°C*)
S	15-5 PH (400°C*)
H	HASTELLOY C276 (300°C*)
(*) max temperature	

FLEXIBLE STEM LENGTH (mm / inches)		
Standard (K70)		
0	none	
Standard (K71, K72)		
D	457mm	18"
E	610mm	24"
F	760mm	30"
Standard (K73)		
L	711mm	28"
Available on request		
A	76mm	3"
B	125mm	6"
C	300mm	12"
G	914mm	36"
H	1067mm	42"
I	1220mm	48"
J	1372mm	54"
K	1520mm	60"

RIGID STEM LENGTH (mm / inches)		
Standard (K70, K71, K72)		
4	153mm	6"
5	318mm	12.5"
Standard (K73)		
0	none	
Available on request		
1	38mm	1.5"
2	50mm	2"
3	76mm	3"
6	350mm	14"
7	400mm	16"
8	456mm	18"

Examples

K72-6-M-B07C-1-4-D-I-S

Melt pressure transducer with type "J" thermocouple, 0.5...10.5 Vdc output, 6-pin connector, 1/2-20UNF thread, 0-700 bar pressure range, 0.5% accuracy class, 153 mm (6") rigid stem, 457mm (18") flexible stem, Inconel 718 diaphragm, SIL2 certification.

Sensors are manufactured in compliance with:

- EMC compatibility directive: 2014/30/EU
- RoHS directive: 2011/65/EU

Electrical installation requirements and Conformity certificate are available on our web site: www.gefran.com

GEFRAN spa reserves the right to make any kind of design or functional modification at any moment without prior notice

GEFRAN spa
via Sebina, 74
25050 PROVAGLIO D'ISEO (BS) - ITALIA
tel. 0309888.1 - fax. 0309839063
Internet: <http://www.gefran.com>

GEFRAN

DTS_K7 SIL2_05-2020_ENG