

The WE series of Gefran, are pressure transmitters for using in High temperature environment.

The main characteristic of this series is the capability to read temperature of the media up to 315°C.

The constructive principle is based on the hydraulic transmission of the pressure.

The fluid-filled system assures the temperature stability. The physical measure is transformed in a electrical measure by means the strain-gauge technology.

#### MAIN FEATURES

- Pressure ranges from:  
0-35 to 0-1000 bar / 0-500 to 0-15000 psi
- Accuracy:  $< \pm 0.25\%$  FSO (H);  $< \pm 0.5\%$  FSO (M)
- Fluid-filled system for temperature stability
- Oil filling meets FDA requirements CFR 178.3620 and CFR 172.878
- Oil filling volume:  
WE0 (30mm<sup>3</sup>); WE1, WE2, WE3 (40mm<sup>3</sup>)
- 1/2-20UNF, M18x1.5 standard threads; other types available on request
- Other diaphragms available on request
- Autozero function on board / external option
- Drift Autocompensation function (SP version)
- 17-7 PH corrugated diaphragm with GTP+ coating for ranges below 100 bar-1500 psi

*GTP+ (advanced protection)*

*Coating with high resistance against corrosion, abrasion and high temperature*

#### AUTOZERO FUNCTION

All signal variations in the absence of pressure can be eliminated by using the Autozero function.

This function is activated by closing a magnetic contact located on the transmitter housing.

The procedure is permitted only with pressure at zero.

#### AUTOCOMPENSATES INFLUENCE OF MELT TEMPERATURE

Thanks to internal self-compensation, the WSP series transmitter cancels the effect of pressure signal variation caused by variation of Melt temperature.

This reduces at the minimum the read error caused by heating of the filling fluid (typical of all sensors built with "filled" technology).

#### TECHNICAL SPECIFICATIONS

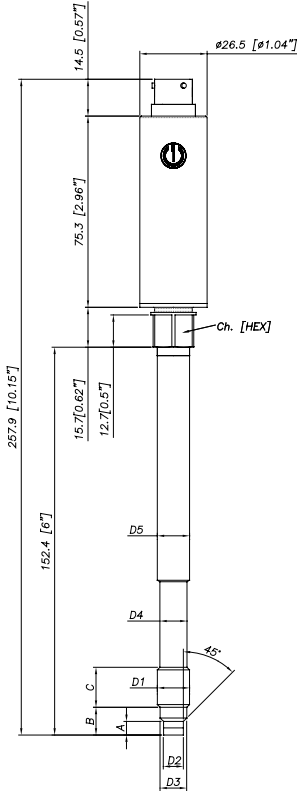
Accuracy (1)	H $< \pm 0.25\%$ FSO (100...1000 bar) M $< \pm 0.5\%$ FSO (35...1000 bar)
Resolution	Infinite
Measurement range	0..35 to 0..1000bar 0..500 to 0..15000psi
Maximum overpressure (without degrading performances)	2 x FS 1.5 x FS above 500bar/7500psi
Measurement principle	Extensimetric
Power supply	10...30Vdc
Maximum current absorption	32mA
Insulation resistance (at 50Vdc)	>1000 MOhm
Output signal Full Scale (FSO)	20mA
Zero balance (tolerance $\pm 0.25\%$ FSO)	4mA
Zero signals adjustment (tolerance $\pm 0.25\%$ FSO)	"Autozero" function
Span adjustment within $\pm 5\%$ FSO	See Manual
Maximum allowed load	See diagram
Response time (10...90% FSO)	~ 1ms
Output noise (RMS 10-400Hz)	< 0.025% FSO
Calibration signal	80% FSO
Output short circuit ingress and reverse polarity protection	YES
Compensated temperature range	0...+85°C
Operating temperature range	-30...+105°C
Storage temperature range	-40...+125°C
Thermal drift in compensated range: Zero / Calibration / Sensibility	< 0.02% FSO/°C
Diaphragm maximum temperature	315°C / 600°F
Zero drift due to change in process temperature (zero)	< 0.04 bar/°C
Zero drift temperature for Autocompensated version (SP) within the temperature range 20°C-315°C inclusive the drift temperature of the housing	< 0.005 bar/°C 100 ≤ p < 500 bar 0.0022 %FS/°C p ≥ 500 bar
Standard Material in contact with process medium	Diaphragm: • 17-7PH corrugated diaphragm with GTP+ Stem • 17-4 PH
Thermocouple (model WE2)	STD: type "J" (isolated junction)
Protection degree (with 6-pole female connector)	IP65

FSO = Full scale output

(1) BFSL method (Best Fit Straight Line): includes combined effects of Non-Linearity, Hysteresis and Repeatability.

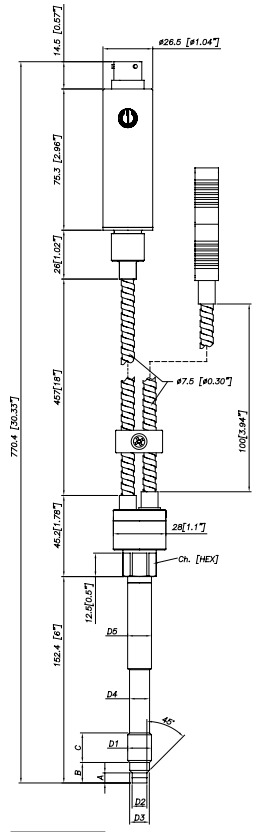
# MECHANICAL DIMENSIONS

## WE0

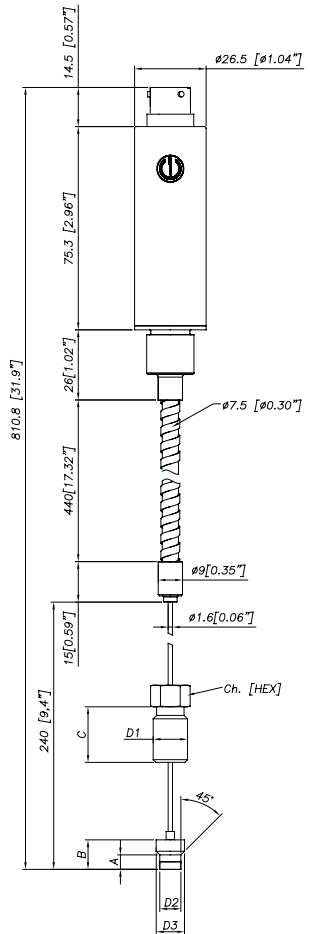


D1	<b>1/2 - 20UNF</b>
D2	$\phi 7.8 -0.05$ [ $\phi 0.31$ -0.002 ]
D3	$\phi 10.5 -0.025$ [ $\phi 0.41$ -0.001 ]
D4	$\phi 10.67$ [ $\phi 0.42$ ]
D5	$\phi 12.7$ [ $\phi 0.5$ ]
A	5.56 -0.26 [ 0.22 -0.01 ]
B	11.2 [ 0.44 ]
C	15.74 [ 0.62 ]
Ch	16
[Hex]	[ 5/8 ]

## WE2



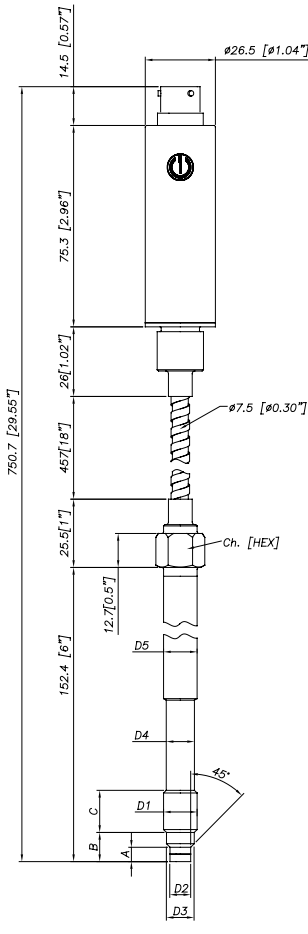
## WE3



Exposed capillary	
D1	1/2-20UNF
D2	.307/.305" [7.80/7.75mm]
D3	.414/.412" [10.52/10.46mm]
A	.125/.120" [3.18/3.05mm]
B	.318/.312" [8.08/7.92mm]
C	.81" [20.6mm]

D1	<b>M18x1.5</b>
D2	$\phi 10 -0.05$ [ $\phi 0.394$ -0.002 ]
D3	$\phi 16 -0.08$ [ $\phi 0.63$ -0.003 ]
D4	$\phi 16 -0.4$ [ $\phi 0.63$ -0.016 ]
D5	$\phi 18$ [ $\phi 0.71$ ]
A	6 -0.26 [ 0.24 -0.01 ]
B	14.8 -0.4 [ 0.58 -0.016 ]
C	19 [ 0.75 ]
Ch	19
[Hex]	[ 3/4 ]

## WE1

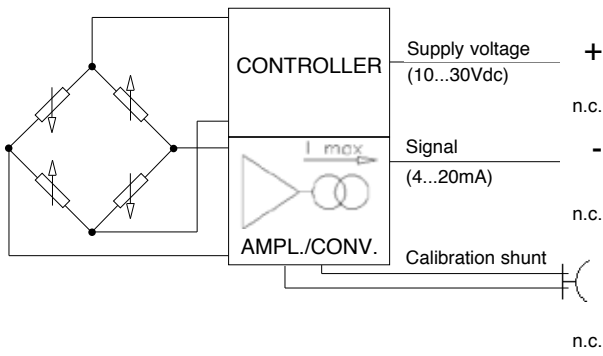


**NOTE :** dimensions refer to rigid stem length option "4" (153 mm – 6")

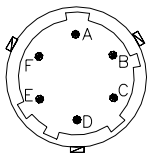
**WARNING :** For installation use a maximum tightening torque of 56 Nm(500 in-lb)

# ELECTRICAL CONNECTIONS

## CURRENT OUTPUT (4...20mA, two wires)



6 pin connector  
VPT07RA10-6PT2  
(PT02A-10-6P)



8 pin connector  
PC02E-12-8P Bendix



## MAGNETIC AUTOZERO

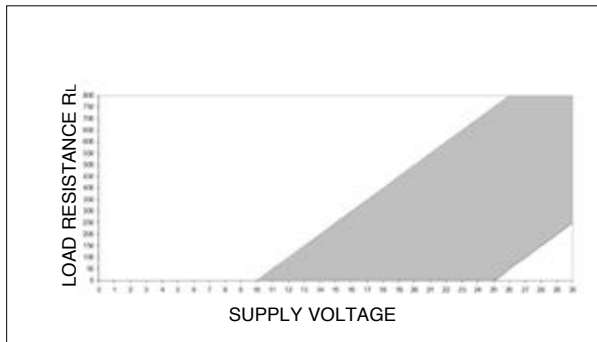
6-pin	8-pin
A	B
C	A
B	D
D	C
E - F	E - F
	G - H

Shield drain wire is tied to connector via cable clamp

## EXTERNAL AUTOZERO

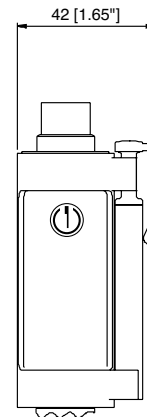
6-pin	8-pin
A	B
C	A
B	D
D	C
E - F	E - F
	G - H

## LOAD DIAGRAM



The diagram shows the optimum ratio between the load and supply voltage of the 4...20mA transmitter. For a correct use, choose any combination of load resistance and supply voltage, in the shaded area.

## AUTOZERO FUNCTION



The Autozero function is activated through a magnetic contact (external magnet supplied with the sensor). See the manual for a complete Autozero function explanation.

# ACCESSORIES

### Connectors

6-pin mating connector (IP65 protection degree)  
8-pin mating connector

### Extension cables

6-pin connector with 8m (25ft) cable  
6-pin connector with 15m (50ft) cable  
6-pin connector with 25m (75ft) cable  
6-pin connector with 30m (100ft) cable  
8-pin connector with 8m (25ft) cable  
8-pin connector with 15m (50ft) cable  
8-pin connector with 25m (75ft) cable  
8-pin connector with 30m (100ft) cable  
Other lengths

### Accessories

Mounting bracket  
Dummy plug for 1/2-20UNF  
Dummy plug for M18x1.5  
Drill kit for 1/2-20UNF  
Drill kit for M18x1.5  
Cleaning kit for 1/2-20UNF  
Cleaning kit for M18x1.5

### Thermocouple for WE2 model

Type "J" (153mm - 6" stem)

CON300  
CON307

C08WLS  
C15WLS  
C25WLS  
C30WLS  
E08WLS  
E15WLS  
E25WLS  
E30WLS  
consult factory

SF18  
SC12  
SC18  
KF12  
CT12  
CT18

TTER 601

Cable color code 6 wires		Cable color code 8 wires	
Conn.	Wire	Conn.	Wire
A	Red	A	White
B	Black	B	Red
C	White	C	Green
D	Green	D	Black
E	Blue	E	Blue
F	Orange	F	Orange
		G	n.c.
		H	n.c.

# ORDER CODE

**W** - [ ] - [ ] - [ ] - [ ] - [ ] - [ ] - [ ] - [ ] - [ ] - [ ] - [ ] - **000**

Autocompensation (*)	<b>SP</b>
Standard	-

(\*) available for ranges > to 100bar  
 (\*) not available for WE3 version

<b>OUTPUT SIGNAL</b>	
4...20mA	<b>E</b>

<b>CONFIGURATION</b>	
Rigid stem	<b>0</b>
Rigid stem + flexible	<b>1</b>
With thermocouple	<b>2</b>
Exposed capillary	<b>3</b>

<b>CONNECTOR</b>	
<b>Standard</b>	
6 pin	<b>6</b>
8 pin	<b>8</b>

<b>ACCURACY CLASS</b>	
0.25% FSO (ranges ≥ 100 bar/1500 psi)	<b>H</b>
0.5% FSO	<b>M</b>

<b>RANGE</b>			
bar		psi	
<b>35</b>	<b>B35U</b>	<b>500</b>	<b>P05C</b>
<b>50</b>	<b>B05D</b>	<b>750</b>	<b>P75D</b>
<b>70</b>	<b>B07D</b>	<b>1000</b>	<b>P01M</b>
<b>100</b>	<b>B01C</b>	<b>1500</b>	<b>P15C</b>
<b>200</b>	<b>B02C</b>	<b>3000</b>	<b>P03M</b>
<b>350</b>	<b>B35D</b>	<b>5000</b>	<b>P05M</b>
<b>500</b>	<b>B05C</b>	<b>7500</b>	<b>P75C</b>
<b>700</b>	<b>B07C</b>	<b>10000</b>	<b>P10M</b>
<b>1000</b>	<b>B01M</b>	<b>15000</b>	<b>P15M</b>

000= Standard version  
 Special or customized versions available on request

<b>E</b>	External autozero
-	Magnetic autozero

**FLEXIBLE LENGTH**  
 (mm / inches) (\*)

**Standard (WE0)**

**0** none

**Standard (WE1, WE2)**

**D** 457mm 18"

**E** 610mm 24"

**F** 760mm 30"

**Standard (WE3)**

**L** 711mm 28"

**Available on request**

**A** 76mm 3"

**B** 152mm 6"

**C** 300mm 12"

**RIGID STEM LENGTH**  
 (mm / inches) (\*)

**Standard (WE0, WE1, WE2)**

**4** 153mm 6"

**5** 318mm 12.5"

**Standard (WE3)**

**0** none

**Available on request**

**1** 38mm 1.5"

**2** 50mm 2"

**3** 76mm 3"

**6** 350mm 14"

**7** 400mm 16"

**8** 456mm 18"

(\*) max combined stem/flexible length is 914mm - 36"

**THREAD**

**Standard**

**1** 1/2 - 20 UNF

**4** M18 x 1.5

Examples

**WE2-6-M-B07C-1-4-D-000**

Melt pressure transmitter with type "J" thermocouple, 4...20mA output, 6-pin connector, 1/2-20UNF thread, 700 bar full scale, 0,5% accuracy class, 153 mm (6") rigid stem, 457mm (18") flexible capillary.

**WSPM0-6-M-P03M-1-4-0-000**

Melt pressure transmitter autocompensated version, rigid stem, 4...20mA output, 6-pin connector, 1/2-20UNF thread, 3000 psi full scale, 0,5% accuracy class, 153 mm (6") rigid stem.

Sensors are manufactured in compliance with:

- EMC compatibility directive
- RoHS directive

Electrical installation requirements and Conformity certificate are available on our web site: [www.gefran.com](http://www.gefran.com)

GEFRAN reserves the right to make any kind of design or functional modification at any moment without prior notice.

**GEFRAN spa**

via Sebina, 74  
 25050 PROVAGLIO D'ISEO (BS) - ITALIA  
 tel. 0309888.1 - fax. 0309839063  
 Internet: <http://www.gefran.com>

**GEFRAN**