

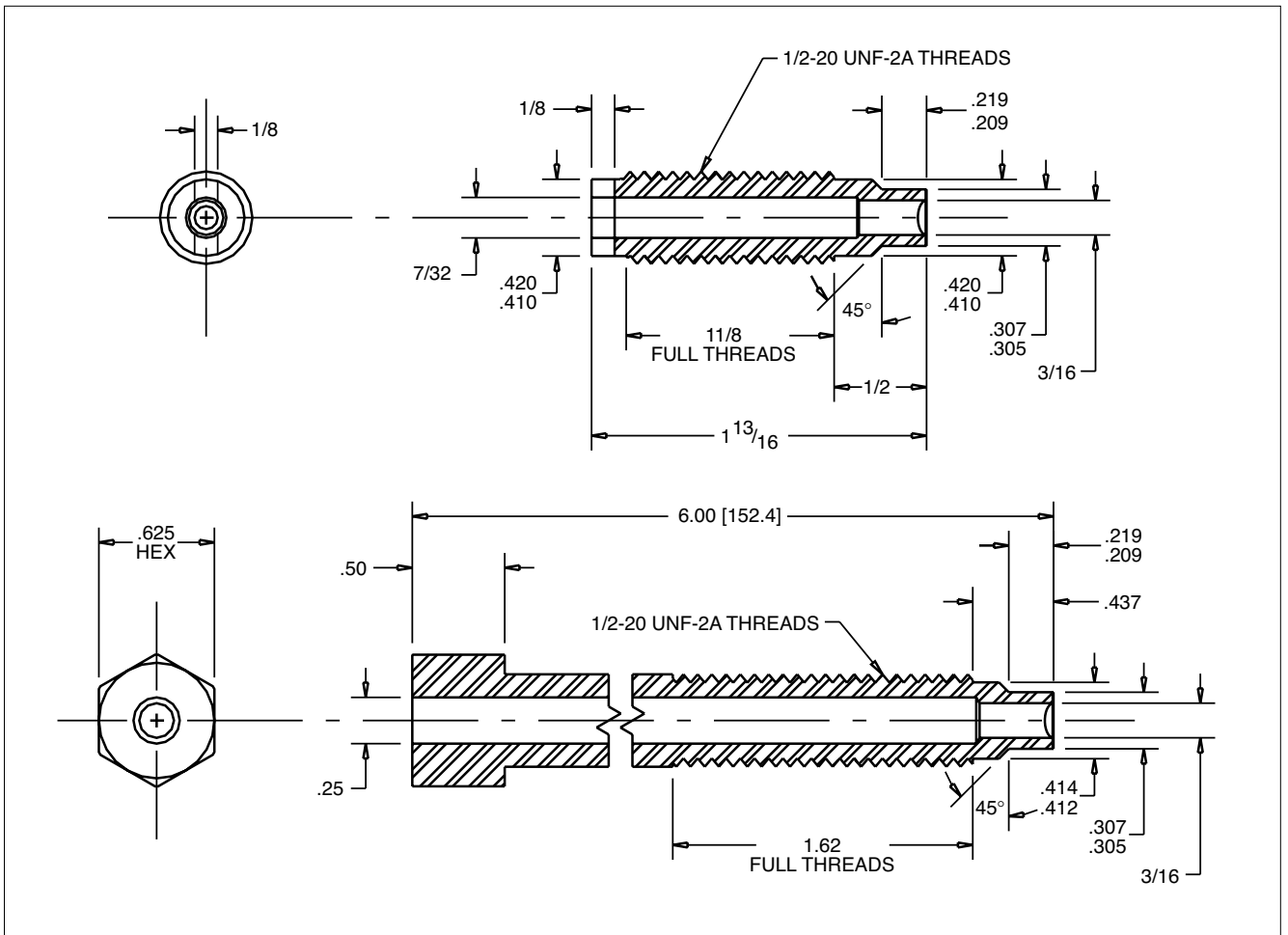


### MAIN FEATURES

- Ranges from 2500 psi (170 bar) to 15000 psi (1000 bar)
- Rated to 750°F (400°C)
- Two length options
- Low installation and maintenance
- Stainless-steel body and Inconel diaphragm (disk)

Rupture disks, also known as burst plugs or soft plugs, are used for emergency pressure relief of an extruder. They are designed to instantaneously rupture at a specific pressure. This provides reliable relief in applications where rapid pressure buildup can occur, protecting both personnel and equipment. For best life, the recommended pressure rating is  $\geq 1.4$  times normal operating pressure. Do not exceed the high-pressure specification.

### MECHANICAL DIMENSIONS



## ORDER CODE

GRD

PRESSURE RATING (psi)	
2,500 psi	<b>2500</b>
3,000 psi	<b>3000</b>
3,500 psi	<b>3500</b>
5,000 psi	<b>5000</b>
5,500 psi	<b>5500</b>
7,500 psi	<b>7500</b>
8,500 psi	<b>8500</b>
9,500 psi	<b>9500</b>
10,000 psi	<b>10000</b>
12,000 psi	<b>12000</b>
15,000 psi	<b>15000</b>

CONFIGURATION	
6"with 5/8"Hex	<b>6.0</b>
1.8"with Slot	<b>1.8</b>

**Example: GRD5000-6.0**

6.0" Rupture Disk with 5/8"Hex, rated to 5,000 psi

**GEFRAN spa** reserves the right to make aesthetic or functional changes at any time and without notice.