

Series ISC

Isolated Signal Converters



Model ISC-VDC
Model ISC-VAC

for DC Voltage signals
for AC Voltage signals

Isolated signal converters for voltage signals in AC and DC, with input signal ranges covering from 75mV up to 650V. Output configurable for mA or Vdc. Instrument to be mounted on standard DIN rail. Power options in AC and DC. Strong three way isolation between input, output and power circuits.

Converter ISC-VAC and VDC

Isolated Signal Converters for AC and DC voltages

Isolated signal converters for voltage signals in AC and DC. Wide range of signals covered, with full scale ranges from 75mV up to 650V.

High isolation levels between the input, output and power circuits, the instruments can be used as isolators between circuits together with the signal converter functionality.

Output signal configurable in 0/10Vdc, 4/20mA and other ranges. Instrument readjustable through jumpers and span and offset potentiometers accessible at the rear of the front cover.


The isolation provided prevents the propagation of transient peaks and energy discharges between circuits, thus protecting the remote acquisition systems. It also minimizes loop grounds, which if acquired with the signal, are very difficult to isolate.

Power option in AC and DC. Instrument to be mounted on standard DIN rail. Connections with plug-in screw terminals. For industrial applications.

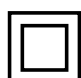
Order Reference

ISC	Model	Power	Input	Output
ISC	VAC	0	0/300Vac	4/20mA
	-VDC -VAC	-0 (230 Vac 50/60 Hz) -1 (115 Vac 50/60 Hz) -6 (24 Vdc isolated)	-0/300Vac -0/60Vdc -0/150Vac -0/60mVdc -0/10Vac ...	-4/20mA -0/10Vdc -...


Precautions on installation

 Risk of electrical shock. Instrument terminals can be connected to dangerous voltage.

The instrument does not have a general switch and will start operation as soon as power is connected. The instrument does not have protection fuse, the fuse must be added during installation.

 Instrument protected with double isolation. No earth connection required.

The instrument is designed to be panel mounted. An appropriate ventilation of the instrument must be assured. Do not expose the instrument to excess of humidity. Maintain clean by using a humid rag and do NOT use abrasive products such as alcohols, solvents, etc.

 Instrument is in conformity with CE rules and regulations. See "CE Declaration of Conformity" further in this document.

General recommendations for electrical installations apply, and for proper functionality we recommend : if possible, install the instrument far from electrical noise or magnetic field generators such as power relays, electrical motors, speed variators, ... If possible, do not install along the same conduits power cables (power, motor controllers, electrovalves, ...) together with signal and/or control cables.

This instrument has been designed and verified according to the 61010-1 CE security regulation, and is designed for applications on industrial environments. See the "CE Declaration of Conformity" further in this document for information on the category of measure and the degree of pollution levels that apply.

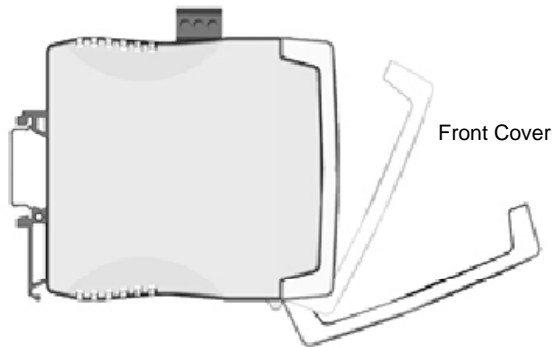
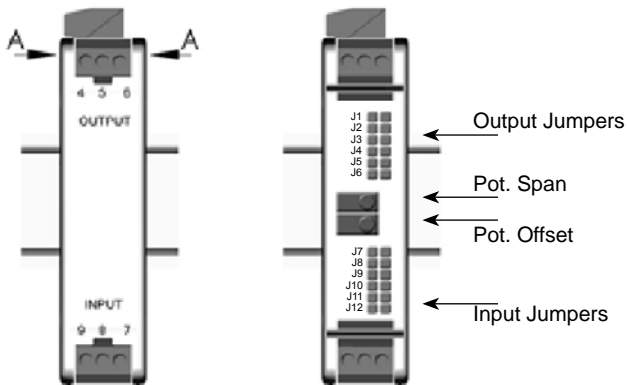
Before proceeding to the power connection, verify that the voltage level available matches the power levels indicated in the label on the instrument.

Installation of this instrument must be performed by qualified personnel only. This manual contains the appropriate information for the installation. Using the instrument in ways not specified by the manufacturer may lead to a reduction on the specified protection level. Disconnect the instrument from power before starting any maintenance and / or installation action.

In case of fire, disconnect the instrument from the power line, fire alarm according to local rules, disconnect the air conditioning, attack fire with carbonic snow, never with water.

Instrument View

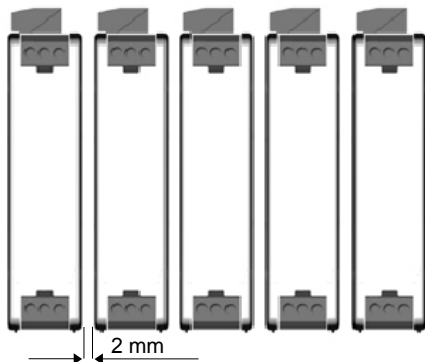
To access the jumpers for input and output range selection, and the span and offset adjust potentiometers, open the front cover by pressing on the A-A points indicated below.



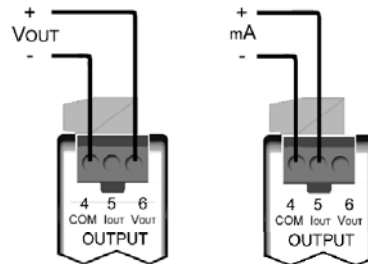
IMPORTANT - Opening the front cover may grant access to areas with dangerous voltages. Operation must be performed by qualified personnel only.

Mounting

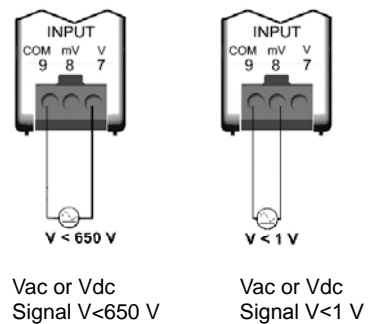
Install the instrument in vertical position, as indicated below. To help dissipate the heat, a free space of 2mm must be left available on both sides of the instrument.



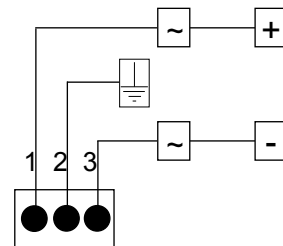
Output Connections



Input Connections



Power Connections



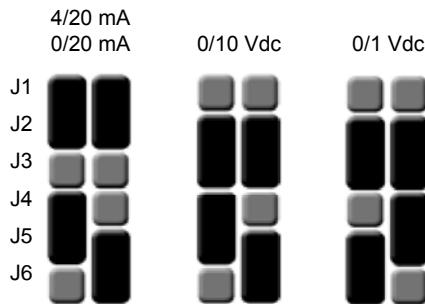
Earth connection - Although a terminal is offered for earth connection, the connection is optional. The instrument does not need this connection for correct functioning nor for compliance with the security regulations.

Fuse - To comply with security regulation 61010-1, add to the power line a protection fuse acting as disconnection element, easily accessible to the operator and identified as a protection device.

230 Vac	70mA time lag
115 Vac	100mA time lag
24 Vdc	250mA time lag

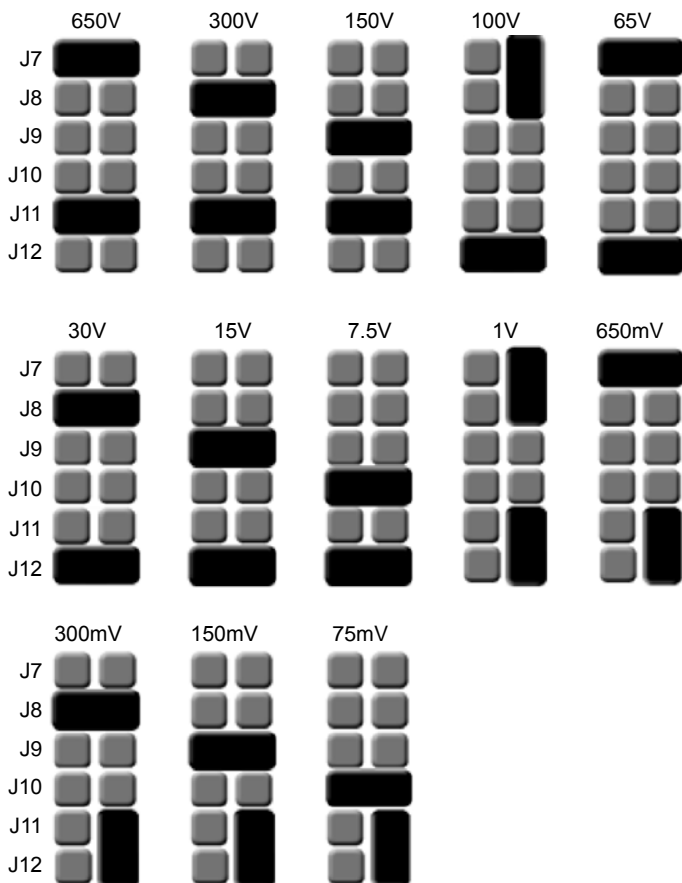
Output range selection Jumpers

Place the jumpers in the appropriate position to select the desired output signal range.



Input range selection Jumpers

Place the jumpers in the appropriate position to select the desired input signal range.



Readjustment procedure

To change the input/output relation of the instrument, select the appropriate jumper positions for input and output, and recalibrate the instrument as described below :

- 1- Open the front cover
- 2- Select the appropriate output range jumpers
(Section "Output range selection Jumpers" in page 4)
- 3- Select the appropriate input range jumpers
(Section "Input range selection Jumpers" in page 4)
- 4- Connect a signal generator to the input terminals
(Section "Input Connections" in page 3)
- 5- Connect a multimeter to the output terminals
(Terminals 4 and 5 for mA or terminals 4 and 6 for Vdc)
(Values in brackets are examples for an input/output adjustment of 0/100Vdc=0/10Vdc)
- 6- Generate the lower input signal (0Vdc)
Operate the Offset potentiometer, until the output is at the low output value desired (0Vdc)
- 7- Generate the higher input signal (100Vdc)
Operate the Span potentiometer, until the output is at the high output value desired (10Vdc)
- 8- Repeat steps 6 and 7, until the desired accuracy is reached
- 9.- Close the front cover



IMPORTANT - Opening the front cover may grant access to areas with dangerous voltages. Operation must be performed by qualified personnel only.



IMPORTANT - The instrument ISC-VAC needs, for start of operation, a Vac value at input terminals greater than 0Vac. For signals close to 0Vac, the instrument may not be able to provide signal. Therefore, the readjustment process for ISC-VAC units must be done using adjustment points at 10% and 100% of the full range.

Example - for a 0/150Vac = 0/10Vdc adjustment, adjust 15Vac = 1Vdc as the lower adjust point, and 150Vac=10Vdc as the higher adjust point.

Technical Data

Input signals
 Selectable ranges Vdc or Vac (different units)
 0/650V, 0/300V, 0/150V, 0/100V,
 0/65V, 0/30V, 0/15V, 0/7.5V, 0/1V,
 0/650mV, 0/300mV, 0/150mV,
 0/75mV

Vac type of measure single phase
 mean square value

Input impedance 1 MOhms for ranges >1V
 5 MOhms for ranges <1V

Overvoltages max. 1000V for ranges >100V
 max. 500V for ranges >1V
 max. 100V for ranges <1V

Output signals
 Selectable output ranges Vdc or mA
 4/20mA, 0/20mA
 0/10Vdc, 0/1Vdc

Type active

Maximum output 22mA in current ranges
 11Vdc in voltage ranges

Minimum output -1.5mA in current ranges
 -1Vdc in voltage ranges

Minimum load in Vdc >1 KOhm
 Maximum load in mA <400 Ohms

Power
 in AC 230Vac 50/60 Hz
 115Vac 50/60 Hz

in DC 24Vdc ±10% isolated
 Consumption <3.8VA

Configuration
 input and output range selection
 jumpers, and span and offset po-
 tentiometers, accessible at the
 rear of the front cover

Accuracy 0.3% F.S. at 25°C
Linearity 0.2% F.S.
Thermal stability 250ppm/°C typ.

Response time <70mSec. (90% signal) ISC-VDC
 <250mSec. (90% signal) ISC-VAC

Bandwidth 20Hz (-3dB) for ISC-VDC
Maximum frequency 1KHz for ISC-VAC

Isolation 3 way isolation
 Input - Output 3500Veff (60 sec.), optical
 Power - Input 3500Veff (60 sec.), galvanic
 Power AC - Output 3500Veff (60 sec.), galvanic
 Power DC - Output 1000Veff (60 sec.), galvanic

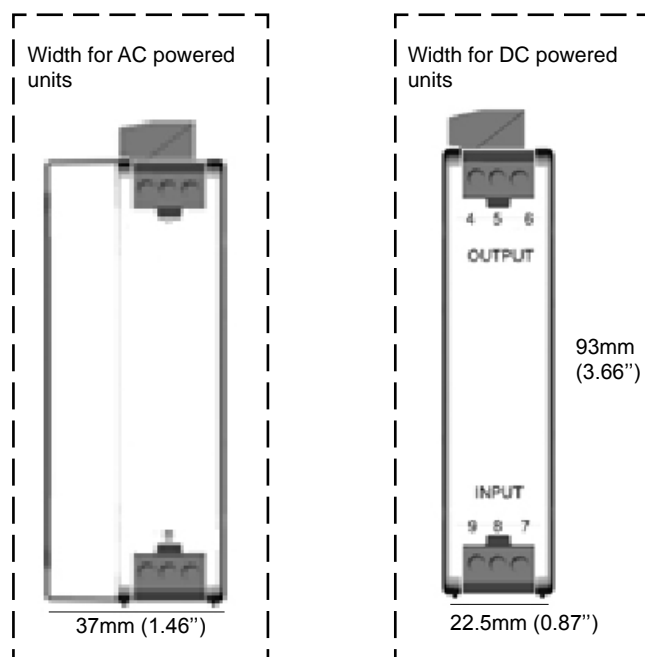
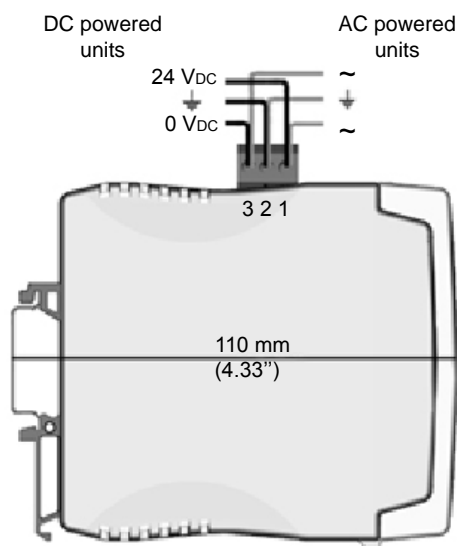
Technical Data (cont.)

Mechanical
 Mounting standard DIN rail (35 x 7,5mm)
 Connections plug-in screw terminals
 Weight 120 grams (DC power)
 200 grams (AC power)
 Housing material Polyamide PA6 UL94 V-2 blue
 Size DC models 22.5 x 93 x 110 mm
 AC models 37.0 x 93 x 110 mm

Protection IP30

Operating Temp. 0 to 60°C
Storage Temp. -20 to +70°C
Warm-up 15 minutes

Mechanical Dimensions (mm)



CE Declaration of conformity

Manufacturer FEMA ELECTRÓNICA, S.A.
 Pol. Ind. Santiga - Altimira 14
 E08210 - Barberà del Vallès - BARCELONA
 ESPAÑA - SPAIN
 www.fema.es - info@fema.es

Security EN61010-1
 Equipment "Fixed", "Permanently connected"
 Degree of pollution 1 and 2 (without condensation)
 Isolation Double
 Category CAT-II

Series - ISC
 Models P, PT100, TJ, TK, TE, TT, TR, TS, VAC, VDC,
 IAC, IDC, POT, RES, HZ, LC

Immunity: EN 50082-2, IEC 1000-4-2, EN 61000-4-2,
 IEC 801-2, ENV 50140, EN 61000-4-4, IEC
 801-4 (level 3), ENV 50204 (level 3)

The manufacturer declares that the instruments indicated
 comply with the directives and rules indicated below.

European directive for low voltage D73/23/CEE amended
 by D93/68/CEE.

European directive for product safety D92/59/CEE
 Electrotechnical regulation for low voltage (RBT) ITC 21,
 ITC 29, ITC 35.

European directive for electromagnetic compatibility D89/336/
 CEE amended by D93/68 CEE

Emission EN 50081-2, EN 55011, EN 55014, EN 55022,

UNE 21352-76: CEI 359-71 Operating quality expressions for
 electronic equipment. UNE 20652-80: CEI 284-68 Behavior
 rules inherent to the handling of electronic equipment and
 other similar technics.

Barberà del Vallès, 2002
 Daniel Juncà - Quality Manager

Warranty

All instruments are warranted against all manufacturing
 defects for a period of 24 MONTHS from the shipment date.
 This warranty does not apply in case of misuse, accident or
 manipulation by non-authorized personnel. In case of mal-
 function get in contact with your local provider to arrange for
 repair. Within the warranty period and after examination by
 the manufacturer, the unit will be repaired or substituted when
 found to be defective. The scope of this warranty is limited to
 the repair cost of the instrument, not being the manufacturer
 eligible for responsibility on additional damages or costs. .

THIS SECTION BLANK

other products



Panel Meters
Standard 96x48 mm



Panel Meters
Small 72x36 mm



Panel Meters
Miniature 48x24 mm



Large Displays
60 & 100 mm digit



Signal Converters
& Isolators



Panel Meters
Standard 96x48 mm

www.fema.es

ELECTRONIC INSTRUMENTATION FOR INDUSTRY

FEMA ELECTRÓNICA, S.A.
Pol. Ind. Santiga - Altimira 14
E08210 Barberà del Vallès - BARCELONA
ESPAÑA - SPAIN

Tel. (+34) 93.729.6004 - www.fema.es
Fax (+34) 93.729.6003 - info@fema.es