

Series CCT

Signal Isolator



CCT-100

**autopowered signal isolator
up to 50mA**

IDEAL SOLUTION to galvanically isolate a current loop without additional power connections. Input signals up to 50mA, including 4/20mA, 0/50mA, 0/20mA, ... The unit is autopowered from the input loop (it must be an active loop) and generate an output loop with the same current value as in the input loop. A galvanic isolation is added between the input and output circuits.

Model CCT-100

Galvanic isolator up to 50mA_{dc}

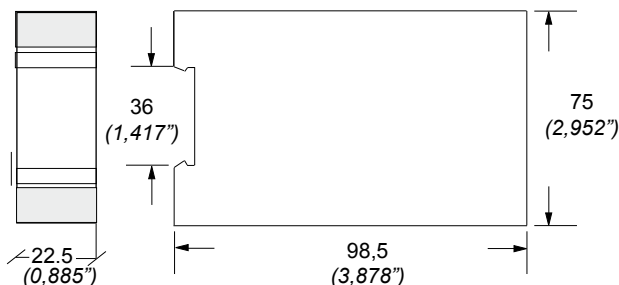
Autopowered galvanic isolator for DC current signals. The instrument is powered from the input signal, and generates a voltage drop of +3V at the input terminals. The signal output is a copy of the signal input, with a galvanic isolation added between the input and output circuits.



Order Reference

	Model	Input	Output
CCT	100	0/50mA	0/50mA

Mechanical Dimensions mm (inch.)



CE Declaration of conformity

Manufacturer FEMA ELECTRÓNICA, S.A.
 Altimira 14 - Pol. Ind. Santiga
 E08210 - Barberà del Vallès
 BARCELONA - SPAIN
www.fema.es - info@fema.es

Series CCT, model 100

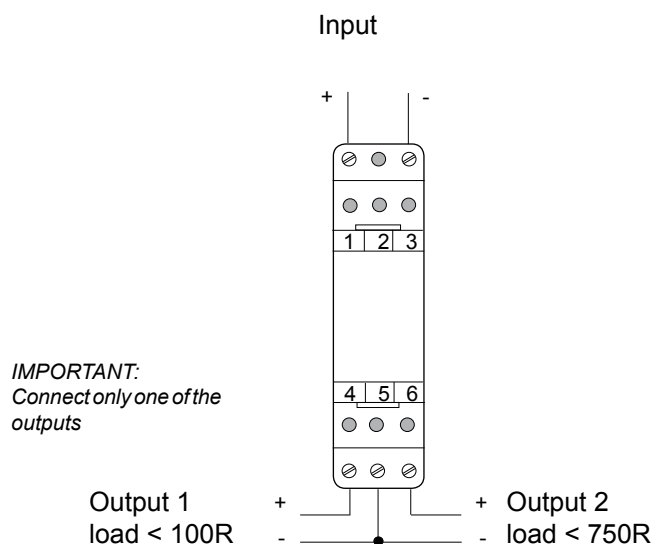
The manufacturer declares that the instruments indicated comply with the directives and rules indicated below.

Directive of electromagnetic compatibility 2004/108/CEE
 Directive of low voltage 73/23/CEE

Security rules 61010-1
 Emmission rules 50081-1
 Immunity rules 50082-1

Barberà del Vallès October 2009
 Daniel Juncà - Quality Manager

Connections



Technical Data

Relation input/output	1/1
Accuracy	class <0.1
Input current	up to 50 mA
Output current	same as the input
Maximum overload	110%.
Ripple	<0,5% @ 3Khz
Maximum load	750 Ohms
Temperature coefficient	<0,01 %/ every 10°C
Response time	50 mSec.
Galvanic isolation	2 KVeFF / 50Hz / 1 min
Weight	100 gr.
Wire section	2.5mm ² maximum
Bbox-cover protection	IP40
Terminals protection	IP20
Box-cover material	Polycarbonate, light grey RAL 7032, UL 94 V-1
Mounting	Standard DINrail (DIN46277, DIN EN 50022) (35 x 7,5mm) (1,38 x 0,3")
Terminals	Polycarbonate, dark grey, UL 94 V-2
Storage temperature	-30 to +80 °C (-22 to +176°F)
Working temperature	-10 to +60 °C (+14 to +140°F)

INPUT DROP VOLTAGE

The voltage at the input terminals, is the addition of the 3V necessary for the internal electronics of the instrument, plus the drop voltage on the output load ($I_{max} \times Z_L$, is the current that circulates multiplied by the impedance load).

$$V_t = 3V + I_{max} \times Z_L$$

SECTION BLANK

other products



Panel Meters
Standard 96x48mm



Panel Meters
Small 72x36 mm



Panel Meters
Miniature 48x24 mm



Large Displays
60 & 100 mm digit



Signal Converters
& Isolators



Panel Meters
Standard 96x48mm

www.fema.es

ELECTRONIC INSTRUMENTATION FOR INDUSTRY

FEMA ELECTRÓNICA, S.A.
Altimira 14 - Pol. Ind. Santiga
E08210 Barberà del Vallès
BARCELONA - SPAIN

Tel. (+34) 93.729.6004 - www.fema.es
Fax (+34) 93.729.6003 - info@fema.es