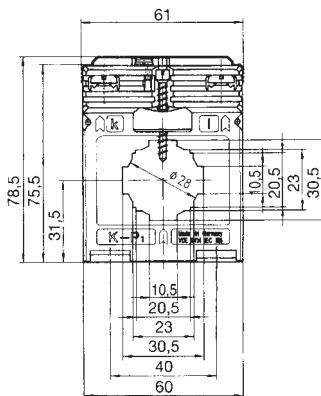
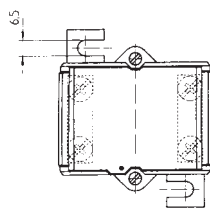
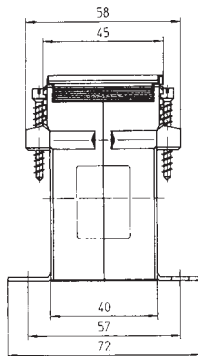




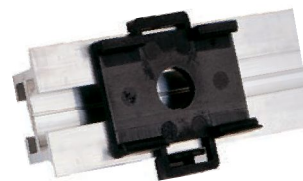
EASK 31.4

Plug-in current transformer

Approved current transformer for tariff applications



Secondary current		5A			1A	
Primary current A	Burden VA	Accuracy class			Accuracy class	
		0.5 Art.-no.	0.5s Art.-no.	0.2 Art.-no.	0.5 Art.-no.	0.2 Art.-no.
100	1.5			8510		
	2.5	8535	8559	8511	8735	8711
150	2.5	8536	8560	8512	8736	8712
	5	8537	8561		8737	
200	2.5	8538	8562	8514	8738	8714
	5	8539	8563	8515	8739	8715
250	2.5	8540	8564	8516	8740	8716
	5	8541	8565	8517	8741	8717
300	2.5	8542	8566	8518	8742	8718
	5	8543	8567	8519	8743	8719
	10	8544	8568	8520	8744	8720
400	2.5	8545	8569	8521	8745	8721
	5	8546	8570	8522	8746	8722
	10	8547	8571	8523	8747	8723
500	2.5	8548	8572	8524	8748	8724
	5	8549	8573	8525	8749	8725
	10	8550	8574	8526	8750	8726
600	2.5	8551	8575	8527	8751	8727
	5	8552	8576	8528	8752	8728
	10	8553	8577	8529	8753	8729
	15	8554	8578		8754	
750	2.5	8555	8579	8531	8755	8731
	5	8556	8580	8532	8756	8732
	10	8557	8581	8533	8757	8733
	15	8558	8582		8758	



Snap-on mounting

Primary conductor	30 x 10 mm 2 x 20 x 10 mm
Round conductor	Ø 28 mm
Transformer width	61 mm
Snap-on mounting	Art.-no. 54011 see page 204
Sealed shutter	Art.-no. 59041 see page 205
Current transformer for industrial applications	see page 47