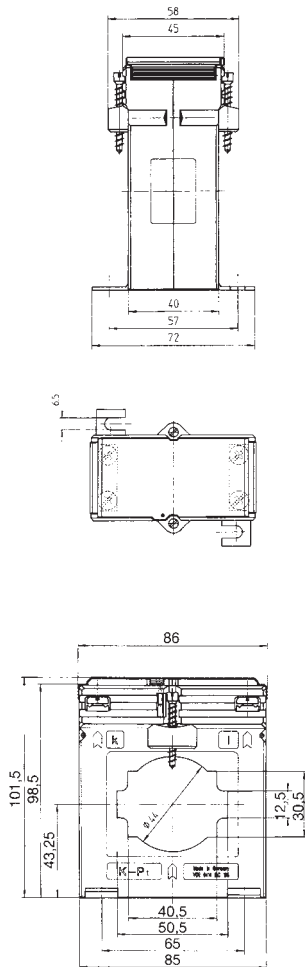




EASK 51.4

Plug-in current transformer

Approved current transformer for tariff applications



Secondary current		5A			1A	
Primary current A	Burden VA	Accuracy class			Accuracy class	
		0.5 Art.-no.	0.5s Art.-no.	0.2 Art.-no.	0.5 Art.-no.	0.2 Art.-no.
100	1.5	16542	16573		16742	
	2.5	16543	16574		16743	
150	1.5	16544	16575	16513	16744	16713
	2.5	16545	16576		16745	
200	1.5	16546	16577	16515	16746	16715
	2.5	16547	16578	16516	16747	16716
	5	16548	16579	16517	16748	16717
250	1.5	16549	16580	16518	16749	16718
	2.5	16550	16581	16519	16750	16719
	5	16551	16582	16520	16751	16720
300	2.5	16553	16584	16522	16753	16722
	5	16554	16585	16523	16754	16723
400	2.5	16555	16586	16524	16755	16724
	5	16556	16587	16525	16756	16725
	10	16557	16588	16526	16757	16726
500	2.5	16558	16589	16527	16758	16727
	5	16559	16590	16528	16759	16728
	10	16560	16591	16529	16760	16729
600	2.5	16561	16592	16530	16761	16730
	5	16562	16593	16531	16762	16731
	10	16563	16594	16532	16763	16732
	15	16564	16595	16533	16764	16733
750	2.5	16565	16596	16534		16734
	5	16566	16597	16535	16766	16735
	10	16567	16598	16536	16767	16736
	15	16568	16599	16537	16768	16737
1000	2.5	16569	16600	16538		
	5	16570	16601	16539	16770	16739
	10	16571	16602	16540	16771	16740
	15	16572	16603	16541	16772	16741

EASK 51.4 2U

Secondary current		5A	1A
Primary current A	Burden VA	Accuracy class	Accuracy class
		0.5 Art.-no.	0.5s Art.-no.
200-100	5-2.5	16611	16621
300-150	5-2.5	16612	16622
400-200	5-2.5	16613	16623
	10-5	16614	16624
500-250	5-2.5	16615	16625
	10-5	16616	16626
600-300	5-2.5	16617	16627
	10-5	16618	16628
1000-500	5-2.5	16619	16629
	10-5	16620	16630

Primary conductor	50 x 12 mm 2 x 40 x 10 mm
Round conductor	Ø 44 mm
Transformer width	86 mm
Snap-on mounting	-
Sealed shutter	Art.-no. 59042 see page 205
Current transformer for industrial applications	see page 65
Protection plug-in current transformers	see page 142