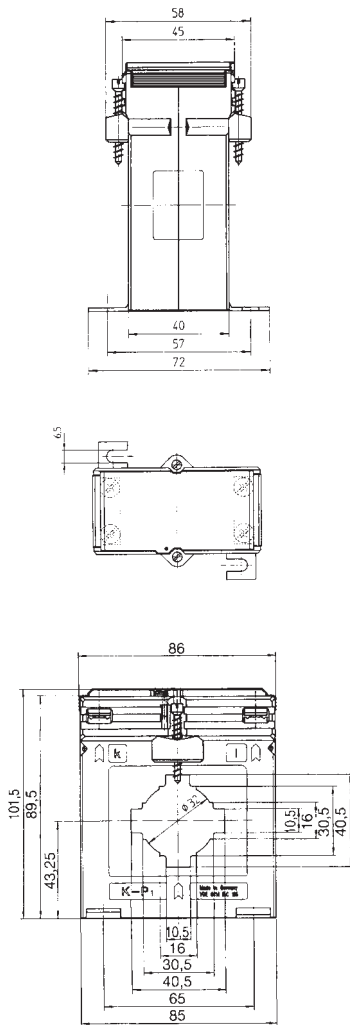




# EASK 541.4

## Plug-in current transformer

Approved current transformer for tariff applications



Primary conductor	40 x 10 mm 2 x 30 x 5 mm
Round conductor	Ø 32 mm
Transformer width	86 mm
Snap-on mounting	-
Sealed shutter	<b>Art.-no. 59042</b> see page 205
Current transformer for industrial applications	see page 64
Protection plug-in current transformers	see page 140

Secondary current		5A			1A	
Primary current A	Burden VA	Accuracy class			Accuracy class	
		0.5	0.5s	0.2	0.5	0.2
		Art.-no.	Art.-no.	Art.-no.	Art.-no.	Art.-no.
75	1.5	15557	15603		15757	
	2.5	15558	15604		15758	
100	1.5	15559	15605	15513	15759	15713
	2.5	15560	15606	15514	15760	15714
	5	15561	15607		15761	
150	1.5	15562	15608	15516	15762	15716
	2.5	15563	15609	15517	15763	15717
	5	15564	15610	15518	15764	15718
	10	15565	15611		15765	
200	2.5	15566	15612	15520	15766	15720
	5	15567	15613	15521	15767	15721
	10	15568	15614	15522	15768	15722
	15	15569	15615		15769	
250	2.5	15570	15616	15524	15770	15724
	5	15571	15617	15525	15771	15725
	10	15572	15618	15526	15772	15726
	15	15573	15619		15773	15727
300	2.5	15574	15620	15528	15774	15728
	5	15575	15621	15529	15775	15729
	10	15576	15622	15530	15776	15730
	15	15577	15623	15531	15777	15731
400	2.5	15578	15624	15532	15778	15732
	5	15579	15625	15533	15779	15733
	10	15580	15626	15534	15780	15734
	15	15581	15627	15535	15781	15735
	30	15582	15628			
500	2.5	15583	15629	15537	15783	15737
	5	15584	15630	15538	15784	15738
	10	15585	15631	15539	15785	15739
	15	15586	15632	15540	15786	15740
	30	15587	15633			
600	2.5	15588	15634	15542	15788	15742
	5	15589	15635	15543	15789	15743
	10	15590	15636	15544	15790	15744
	15	15591	15637	15545	15791	15745
	30	15592	15638	15546		
750	2.5	15593	15639	15547	15793	15747
	5	15594	15640	15548	15794	15748
	10	15595	15641	15549	15795	15749
	15	15596	15642	15550	15796	15750
	30	15597	15643	15551		
1000	2.5	15598	15644	15552		
	5	15599	15645	15553	15799	15753
	10	15600	15646	15554	15800	15754
	15	15601	15647	15555	15801	15755
	30	15602	15648	15556		